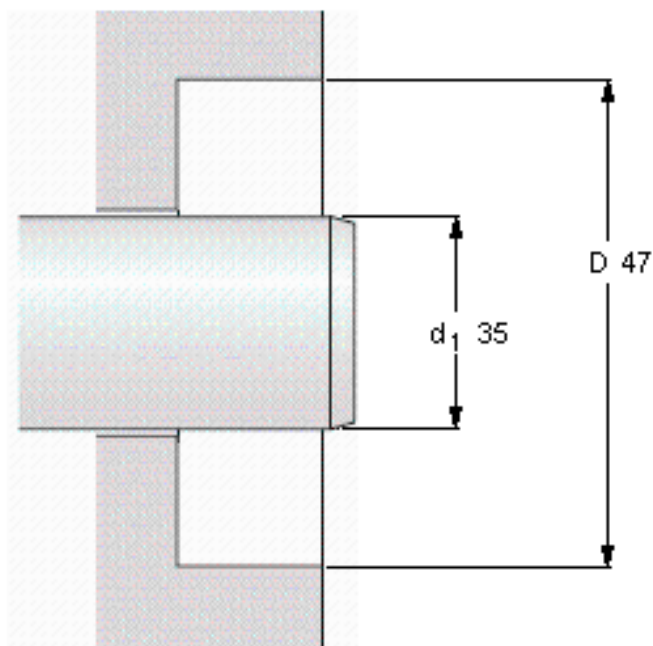


**SKF 35X47X7 CRW1 R参数**

主要尺寸	d <sub>1</sub>	35	mm	-
	d1	47	mm	-
	b	7	mm	-
设计	设计	CRW1	-	-
密封唇材料	密封唇材料	R	-	-
Pressuredifferential [MPa/psi]	Pressure differential [MPa / psi]	0.07	-	-
型号	型号	35X47X7 CRW1 R	-	-
美国图纸编号	美国图纸编号	13938	-	-
注释	注释	Bore-Tite	-	-

**SKF 35X47X7 CRW1 R图片**



**Permissible operating temperature [°C / °F]**

<b>最小</b>	<b>最大</b>
-40 / -40	100 / 212
	short periods
	120 / 248

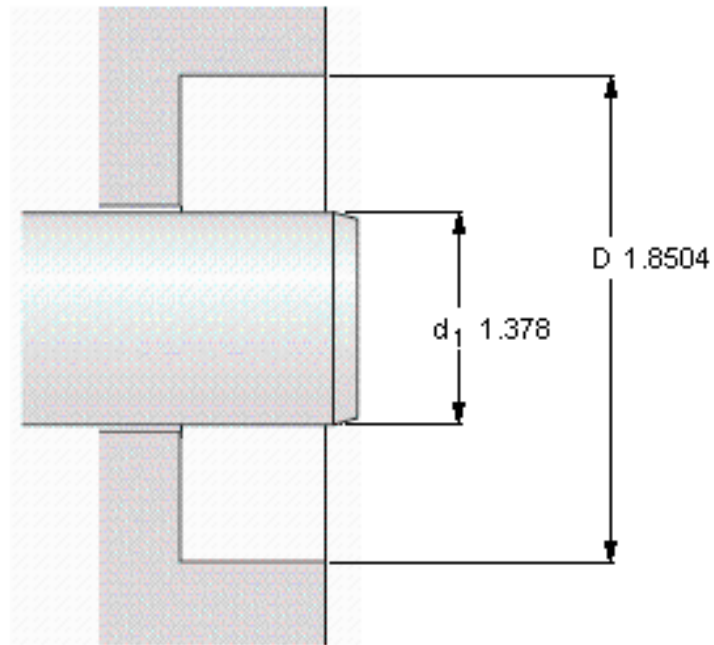
**Rotational speed [r/min]**

9822  
**at circumferential speed [m/s / ft/s]**  
18 / 59,04

**Pressure differential [MPa / psi]**

0,07 / 10,15

See also "Permissible speeds" and "Chemical and thermal resistance"



**Permissible operating temperature [°C / °F]**

最小	最大
-40 / -40	100 / 212
	short periods
	120 / 248

**Rotational speed [r/min]**

9822
<b>at circumferential speed [m/s / ft/s]</b>
18 / 59,04

**Pressure differential [MPa / psi]**

0,07 / 10,15

See also "Permissible speeds" and "Chemical and thermal resistance"

参考资料:<http://www.sozhou.com/p/eab878a2.html>