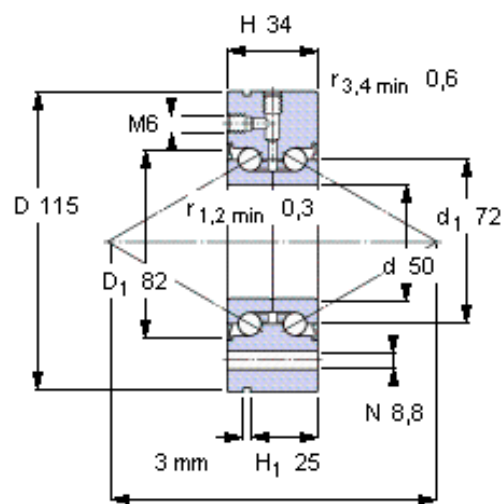


SKF BEAM 050115-2RS参数

主要尺寸	d	50	mm	-
	D	115	mm	-
	H	34	mm	-
基本额定载荷	C	46800	N	动载荷
	C_0	127000	N	静载荷
疲劳载荷极限	P_u	4650	N	-
可达转速	Attainable speed	2000	r/min	-
重量	重量	1850	g	-
型号	型号	BEAM 050115-2RS	-	-

SKF BEAM 050115-2RS图片



Preload¹⁾ [N]

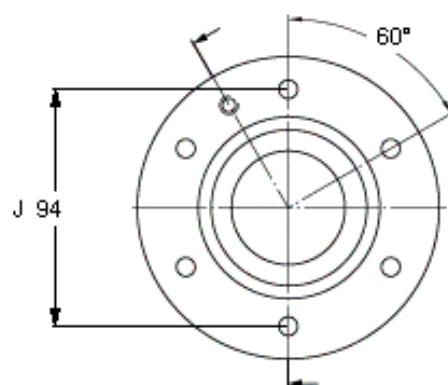
3100

Frictional moment¹⁾ [Nm]

(guideline value)

0,9

¹⁾ Values apply to unmounted bearings



Static stiffness¹⁾

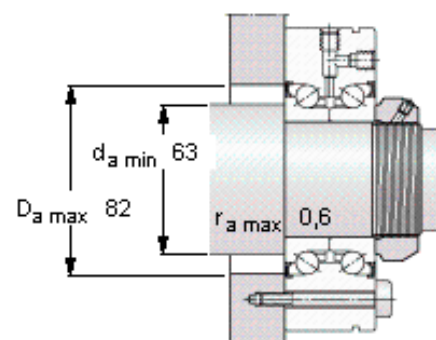
(guideline values)

Axial [N/μm]

1250

Moment [Nm/mrad]

1000

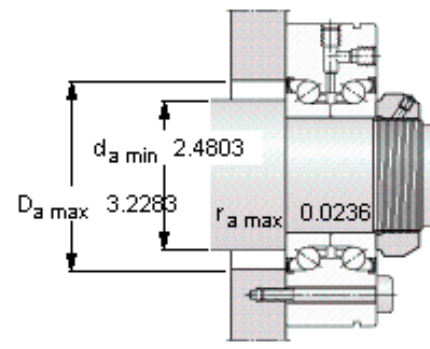
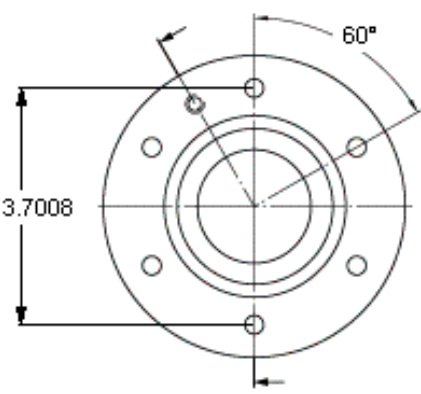
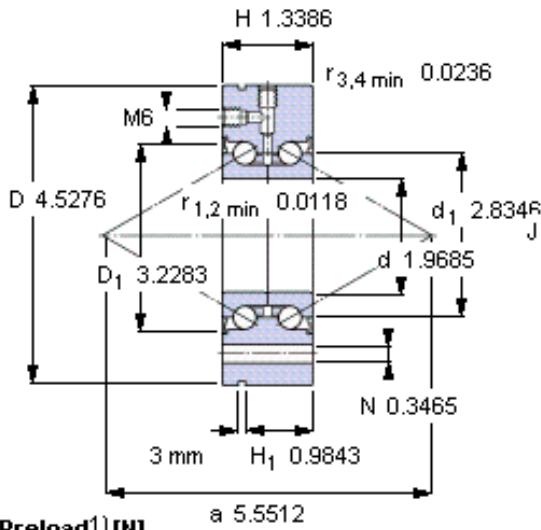


Required attachment bolts

(no. of bolts x pitch)

6 x 60°

参考资料: <http://www.sozhou.com/p/d044ecd1.html>



Preload¹⁾ [N]
3100

Frictional moment¹⁾ [Nm]
(guideline value)
0,9

¹⁾ Values apply to unmounted bearings

Static stiffness¹⁾
(guideline values)

Axial [N/μm]	1250
Moment [Nm/mrad]	1000

Required attachment bolts

(no. of bolts x pitch)
6 x 60°