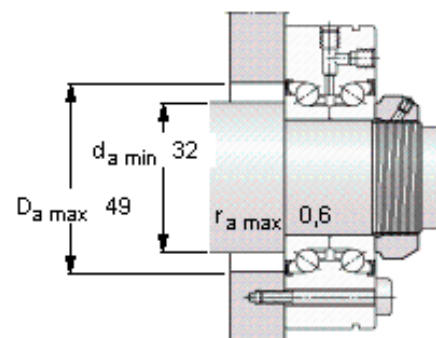
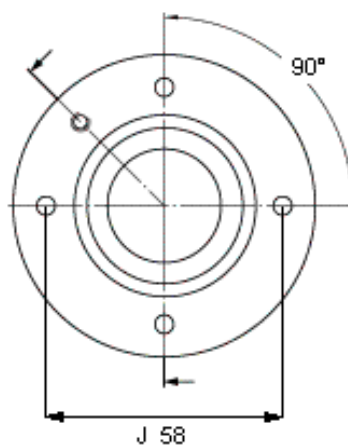
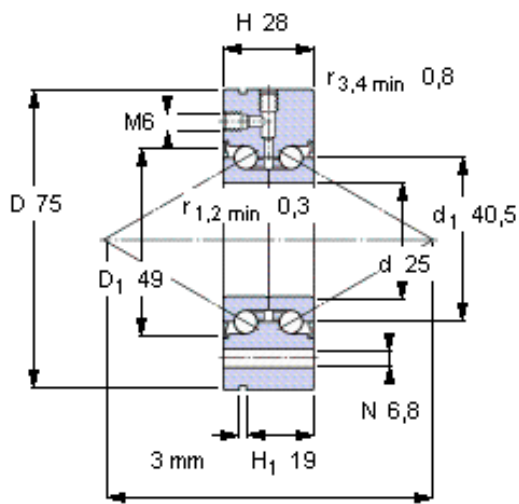


### SKF BEAM 025075-2RS参数

主要尺寸	d	25	mm	-
	D	75	mm	-
	H	28	mm	-
基本额定载荷	C	27600	N	动载荷
	$C_0$	55000	N	静载荷
疲劳载荷极限	$P_u$	2040	N	-
可达转速	Attainable speed	3400	r/min	-
重量	重量	720	g	-
型号	型号	BEAM 025075-2RS	-	-

### SKF BEAM 025075-2RS图片



**Preload<sup>1)</sup> [N]**

1920

**Frictional moment<sup>1)</sup> [Nm]**

(guideline value)

0,4

<sup>1)</sup> Values apply to unmounted bearings

**Static stiffness<sup>1)</sup>**

(guideline values)

Axial [N/μm]

770

Moment [Nm/mrad]

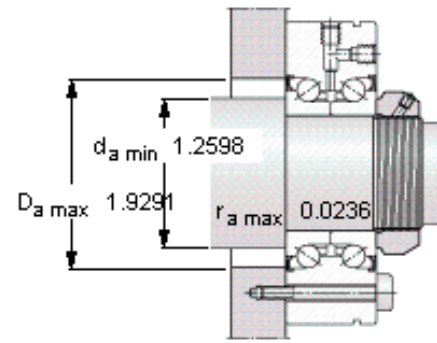
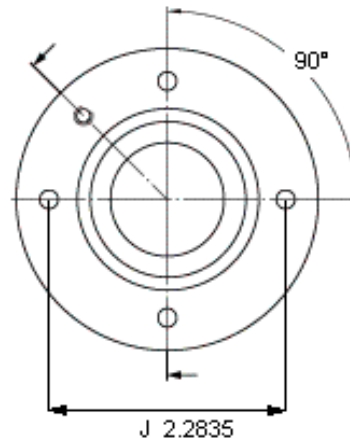
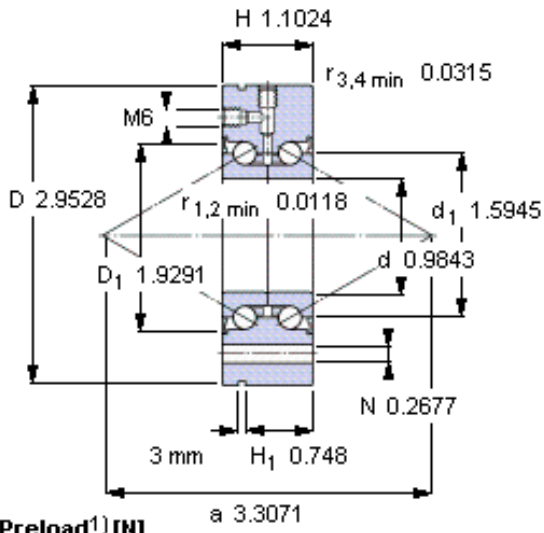
200

**Required attachment bolts**

(no. of bolts x pitch)

4 x 90°

参考资料: <http://www.sozhou.com/p/c9af0fae.html>



**Preload<sup>1)</sup> [N]**

1920

**Frictional moment<sup>1)</sup> [Nm]**

(guideline value)

0,4

<sup>1)</sup> Values apply to unmounted bearings

**Static stiffness<sup>1)</sup>**

(guideline values)

Axial [N/μm] 770

Moment [Nm/mrad] 200

**Required attachment bolts**

(no. of bolts x pitch)

4 x 90°