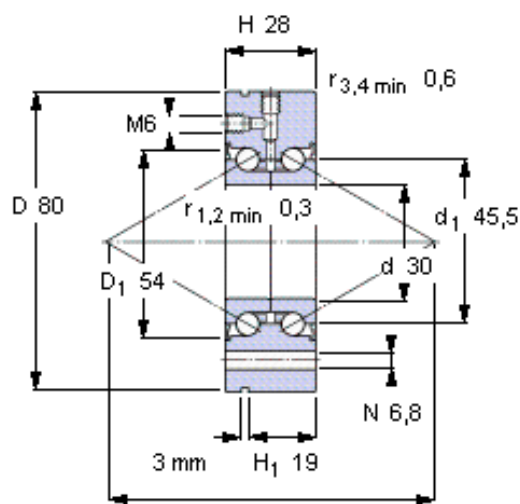


SKF BEAM 030080-2RS参数

| | | | | |
|--------|------------------|-----------------|-------|-----|
| 主要尺寸 | d | 30 | mm | - |
| | D | 80 | mm | - |
| | H | 28 | mm | - |
| 基本额定载荷 | C | 29100 | N | 动载荷 |
| | C_0 | 64000 | N | 静载荷 |
| 疲劳载荷极限 | P_u | 2360 | N | - |
| 可达转速 | Attainable speed | 2600 | r/min | - |
| 重量 | 重量 | 780 | g | - |
| 型号 | 型号 | BEAM 030080-2RS | - | - |

SKF BEAM 030080-2RS图片



Preload¹⁾ [N]

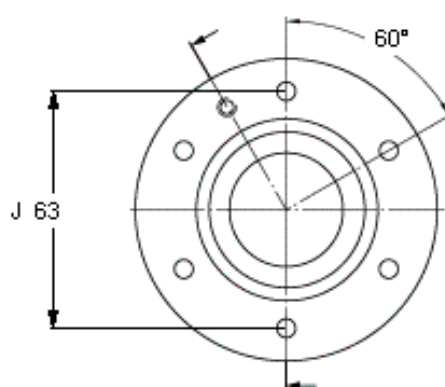
2170

Frictional moment¹⁾ [Nm]

(guideline value)

0,5

¹⁾ Values apply to unmounted bearings



Static stiffness¹⁾

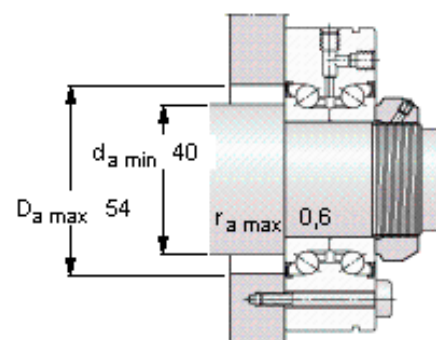
(guideline values)

Axial [N/μm]

870

Moment [Nm/mrad]

300

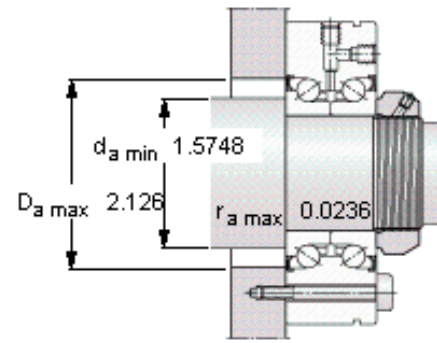
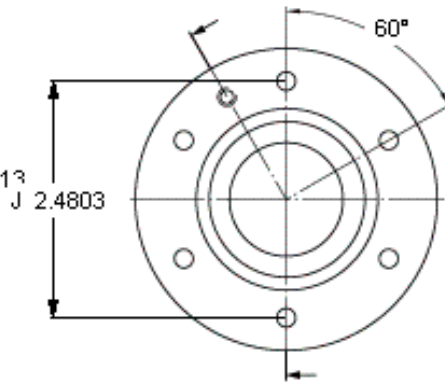
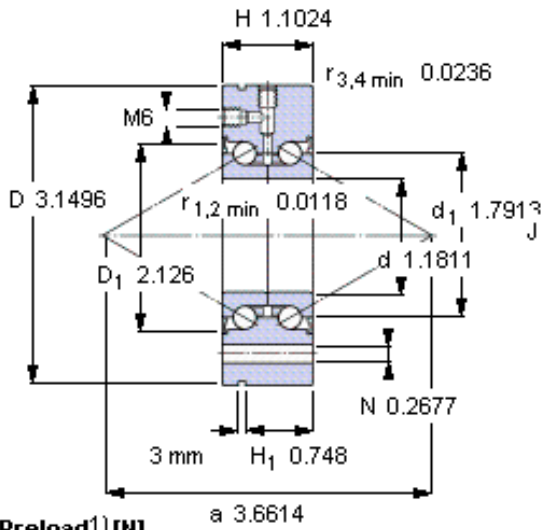


Required attachment bolts

(no. of bolts x pitch)

6 x 60°

参考资料: <http://www.sozhou.com/p/c80ad42b.html>



Preload¹⁾ [N]

2170

Frictional moment¹⁾ [Nm]

(guideline value)

0,5

¹⁾ Values apply to unmounted bearings

Static stiffness¹⁾

(guideline values)

Axial [N/μm] 870

Moment [Nm/mrad] 300

Required attachment bolts

(no. of bolts x pitch)

6 x 60°