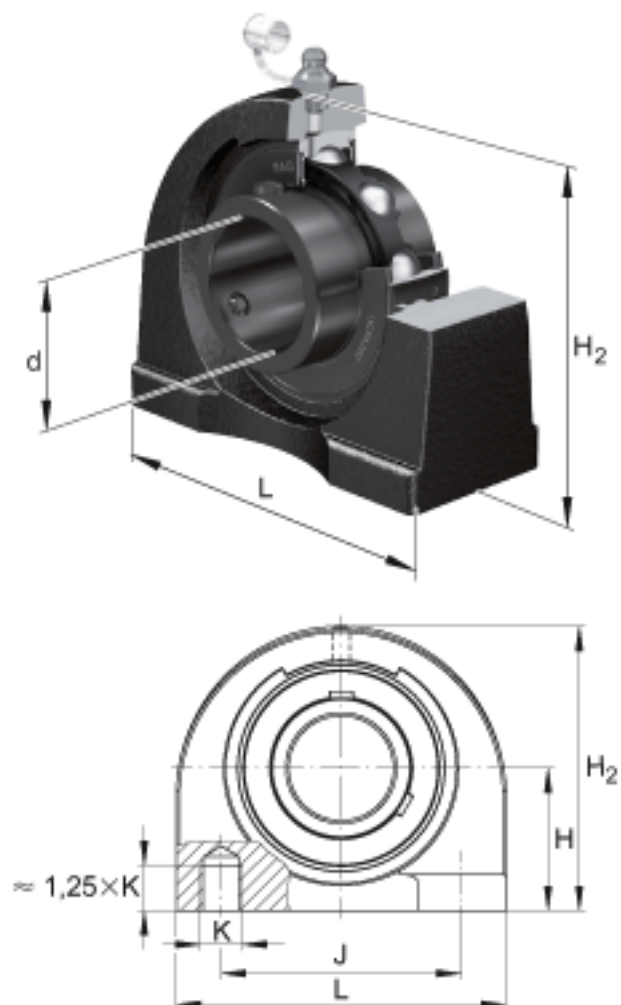
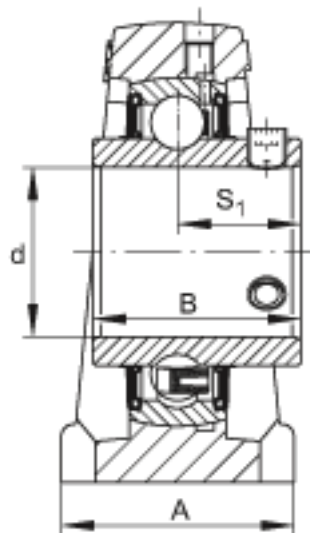


### FAG UCPA210-30参数

|    |                |          |    |            |
|----|----------------|----------|----|------------|
| 尺寸 | d              | 47.625   | mm | -          |
|    | L              | 130      | mm | -          |
|    | H <sub>2</sub> | 116      | mm | -          |
|    | A              | 60       | mm | -          |
|    | B              | 51.6     | mm | -          |
|    | H              | 57.2     | mm | -          |
|    | J              | 94       | mm | -          |
|    | K              | M16      | mm | -          |
|    | S <sub>1</sub> | 32.6     | mm | -          |
| 重量 | m              | 2850     | g  | 重量         |
| 说明 |                | PA210    |    | 型号, 轴承座    |
|    |                | UC210-30 |    | 型号, 外球面球轴承 |

### FAG UCPA210-30图片





参考资料:<http://www.sozhou.com/p/c112d065.html>