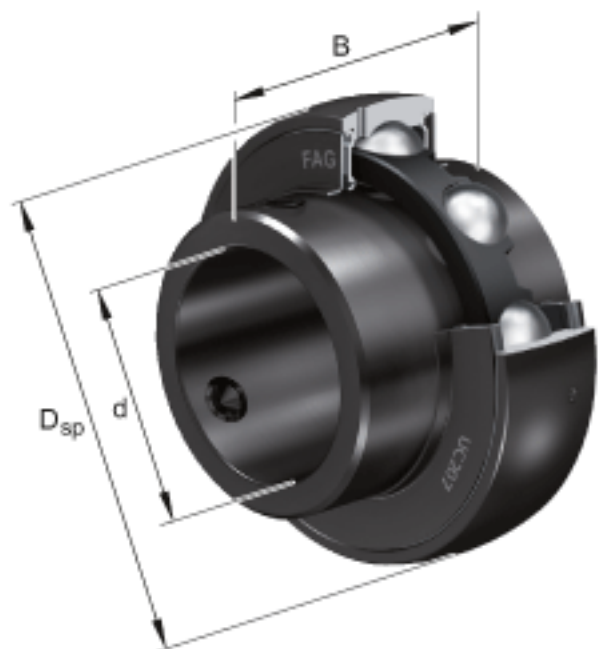


FAG UC211-33参数

| | | | | |
|--------|----------|---------|----|------------|
| 尺寸 | d | 52.3875 | mm | - |
| | D_{SP} | 100 | mm | - |
| | B | 55.6 | mm | - |
| | A | 10 | mm | - |
| | C | 25 | mm | - |
| | C_2 | 25.6 | mm | - |
| | C_a | 7 | mm | - |
| | d_1 | 69.77 | mm | - |
| | S | 22.2 | mm | - |
| | W | 12.7 | mm | - |
| 重量 | m | 1170 | g | 重量 |
| 基本额定载荷 | C_r | 43500 | N | 基本额定动载荷，径向 |
| | C_{0r} | 29000 | N | 基本额定静载荷，径向 |

FAG UC211-33图片



参考资料:<http://www.sozhou.com/p/bbef6fdf.html>

