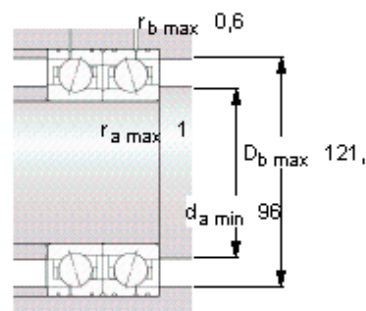
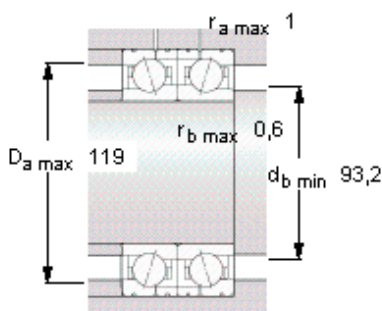
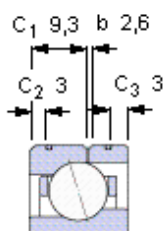
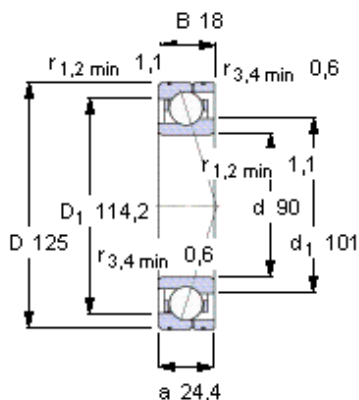


SKF 71918 CE/HCP4AL 参数

主要尺寸	d	90	mm	-
	D	125	mm	-
	B	18	mm	-
基本额定载荷	C	30200	N	动载荷
	C_0	24500	N	静载荷
疲劳载荷极限	P_u	965	N	-
可达转速	Grease	17000	r/min	-
	Oil-air	27000	r/min	-
重量	重量	460	g	-
型号	型号	71918 CE/HCP4AL	-	-

SKF 71918 CE/HCP4AL 图片



Ball diameter 11,112

Number of balls 24

未安装时的预载荷 [N]

背对背配置，面对面配置

预载荷等级

A	B	C	D
163	488	977	-

Static axial stiffness [N/μm]

(guideline value)

预载荷等级

A	B	C	D
72	114	157	-

Reference grease quantity [cm³]

G_{ref} 7

计算系数

for equivalent bearing load

f_0 8,5

for preload in mounted bearing sets

f 1,19

f_1 1

f_{2A} 1

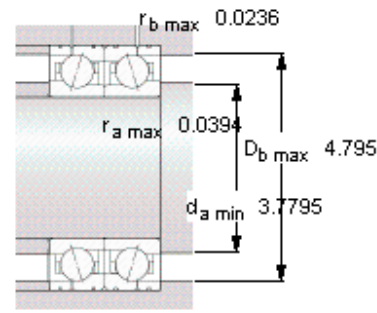
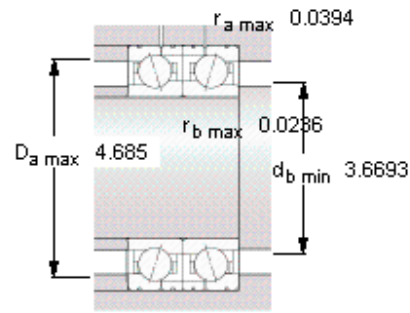
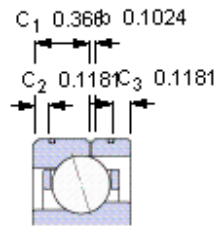
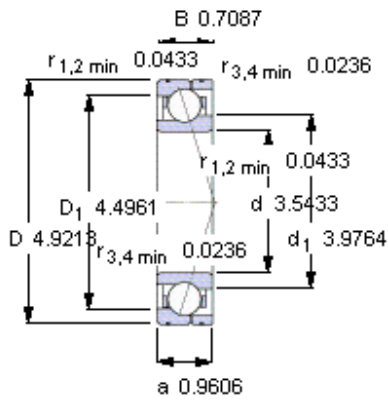
f_{2B} 1,05

f_{2C} 1,09

f_{2D} -

f_{HC} 1,01

参考资料: <http://www.sozhou.com/p/baed3eed.html>



Ball diameter 11,112

Number of balls 24

未安装时的预载荷 [N]

背对背配置，面对面配置

预载荷等级

A	B	C	D
163	488	977	-

Static axial stiffness [N/μm]

(guideline value)

预载荷等级

A	B	C	D
72	114	157	-

Reference grease quantity [cm³]

G_{ref} 7

计算系数

for equivalent bearing load

f₀ 8,5

for preload in mounted bearing sets

f 1,19

f₁ 1

f_{2A} 1

f_{2B} 1,05

f_{2C} 1,09

f_{2D} -

f_{HC} 1,01