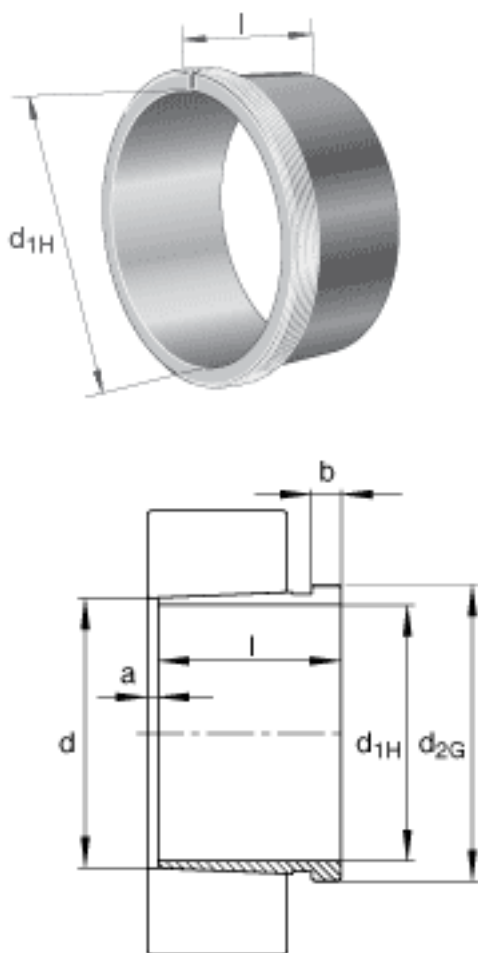


FAG AH241/750G参数

| | | | | |
|----|----------|---------|----|----|
| 尺寸 | d_{1H} | 710 | mm | - |
| | l | 520 | mm | - |
| | a | 28 | mm | - |
| | b | 45 | mm | - |
| | d | 750 | mm | - |
| | d_{2G} | Tr800x7 | mm | - |
| 说明 | | 710 | mm | 轴 |
| 重量 | m | 244000 | g | 质量 |

FAG AH241/750G图片



参考资料:<http://www.sozhou.com/p/8eb4cc39.html>