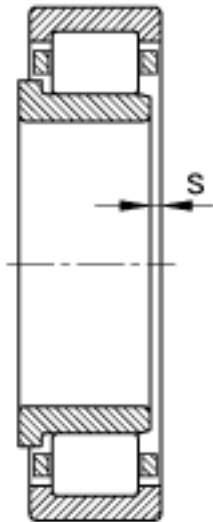
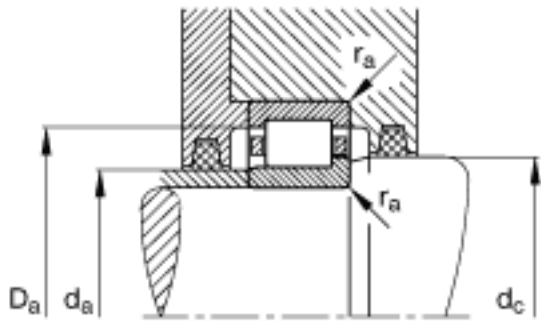


FAG NJ216-E-TVP2参数

| | | | | |
|--------|---------------|--------|-------|-------------|
| 尺寸 | F | 95.3 | mm | - |
| | $r_{1\ min}$ | 2 | mm | - |
| | $r_{a\ max}$ | 2 | mm | - |
| | $r_{a1\ max}$ | 2 | mm | - |
| | $r_{\ min}$ | 2 | mm | - |
| | s | 1.3 | mm | 距离中心位置的轴向偏移 |
| 重量 | m | 1580 | g | 质量 |
| 基本额定载荷 | C_r | 166000 | N | 基本额定动载荷, 径向 |
| | C_{0r} | 168000 | N | 基本额定静载荷, 径向 |
| 极限转速 | n_G | 6100 | r/min | 极限转速 |
| 参考转速 | n_B | 4250 | r/min | 参考速度 |
| 疲劳极限载荷 | C_{ur} | 29000 | N | 疲劳极限载荷, 径向 |
| 尺寸 | $d_{a\ max}$ | 94 | mm | - |
| | $d_{a\ min}$ | 91 | mm | - |
| | $d_{c\ min}$ | 104 | mm | - |
| | d | 80 | mm | - |
| | D | 140 | mm | - |
| | B | 26 | mm | - |
| | B_1 | 8 | mm | - |
| | B_2 | 12.5 | mm | - |
| | D_1 | 122.9 | mm | - |
| | $D_{a\ max}$ | 129 | mm | - |
| | d_1 | 101.5 | mm | - |

FAG NJ216-E-TVP2图片





参考资料:<http://www.sozhou.com/p/8b0c60c6.html>