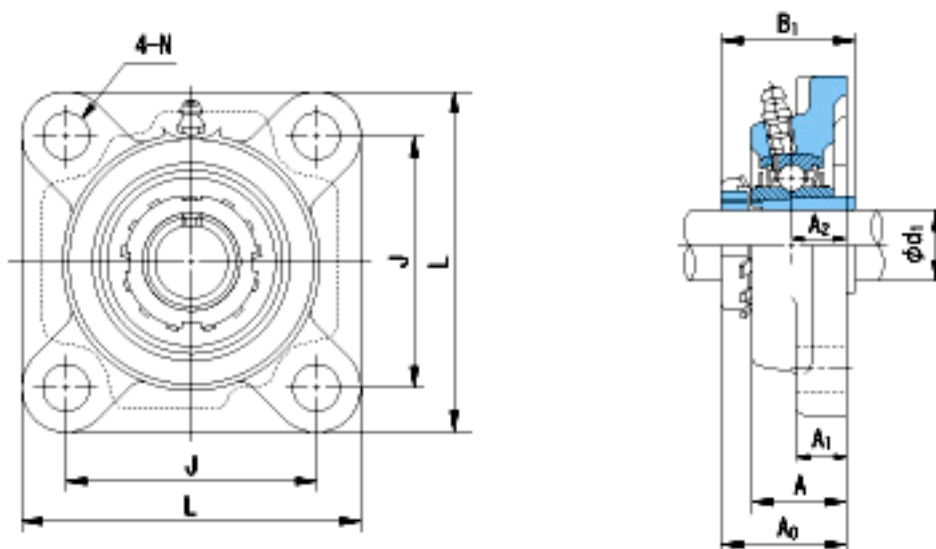


NACHI UKF309+H2309参数

| | | | | | |
|------|--------|-------|-------|-----|-----|
| 外形尺寸 | L | 160 | mm | - | |
| | J | 125 | mm | - | |
| | N | 19 | mm | - | |
| 安装尺寸 | d1 | 40 | mm | - | |
| | A1 | 18 | mm | - | |
| | A2 | 25 | mm | - | |
| | B1 | 50 | mm | - | |
| | A | 44 | mm | - | |
| | A0 | 54.5 | mm | - | |
| | 重量 | Mass | 3600 | g | 重量 |
| | 基本额定载荷 | Cr | 51500 | N | 动载荷 |
| Cor | | 29500 | N | 静载荷 | |
| 极限速度 | Grease | - | r/min | 脂润滑 | |
| | Oil | - | r/min | 油润滑 | |

NACHI UKF309+H2309图片



参考资料:<http://www.sozhou.com/p/7f4d9dfb.html>