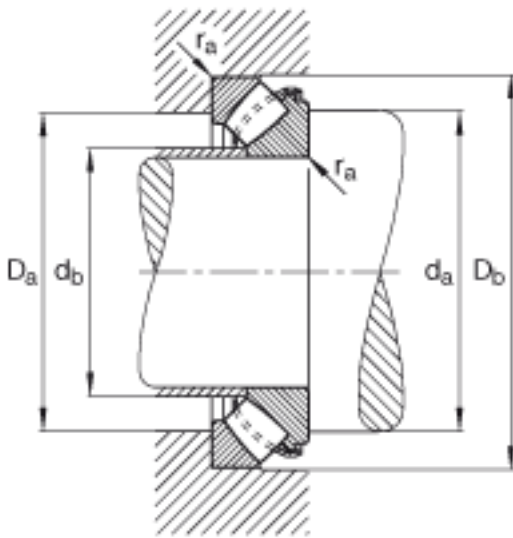
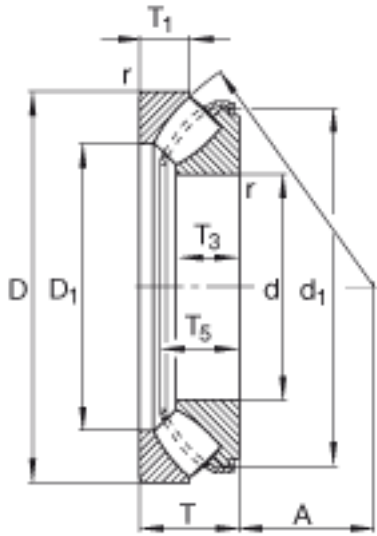
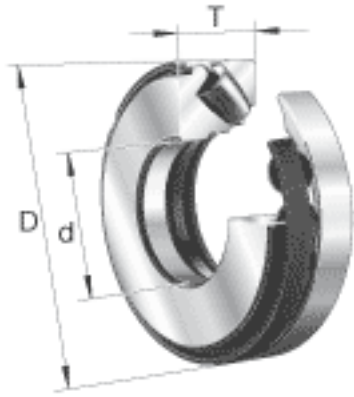


FAG 29436-E1参数

| | | | | | |
|--------|---------------------|-----------------|---------|------------|-------------|
| 尺寸 | d | 180 | mm | - | |
| | D | 360 | mm | - | |
| | T | 109 | mm | - | |
| | A | 110 | mm | - | |
| | D ₁ | 250 | mm | - | |
| | D _{a max} | 305 | mm | - | |
| | D _{b min} | 366 | mm | - | |
| | d ₁ | 315.5 | mm | - | |
| | d _{a min} | 265 | mm | - | |
| | d _{b max} | 197 | mm | - | |
| | d _{b1 max} | 210 | mm | - | |
| | r _{a max} | 4 | mm | - | |
| | r _{min} | 5 | mm | - | |
| | T ₁ | 53 | mm | - | |
| | T ₃ | 69.5 | mm | - | |
| | T ₅ | 96 | mm | - | |
| | 重量 | m | 47600 | g | 质量 |
| | 基本额定载荷 | C _a | 2850000 | N | 基本额定动载荷, 轴向 |
| | | C _{0a} | 7700000 | N | 基本额定静载荷, 轴向 |
| 极限转速 | n _G | 1860 | r/min | 极限转速 | |
| 参考转速 | n _B | 940 | r/min | 参考速度 | |
| 疲劳极限载荷 | C _{ua} | 760000 | N | 疲劳极限载荷, 轴向 | |

FAG 29436-E1图片



参考资料:<http://www.sozhou.com/p/70841c5d.html>

