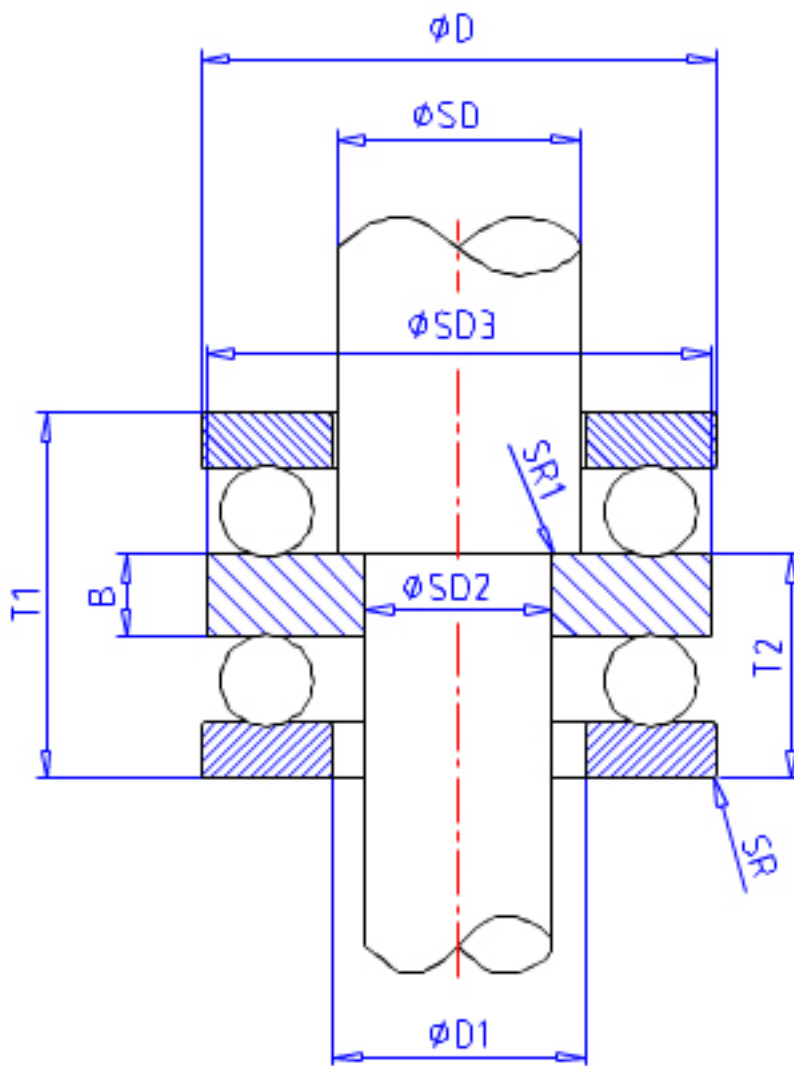


NSK 52408参数

| | | | | |
|--------|------|--------|-------|------|
| 型号 | 型号 | 52408 | | - |
| 外形尺寸 | SD2 | 30 | mm | 内径 |
| | SD | 40 | mm | 外径 |
| | D | 90 | mm | 宽度 |
| | T1 | 65 | mm | - |
| | T5 | 69.4 | mm | - |
| | T7 | 77 | mm | - |
| | SR | 1.1 | mm | (最小) |
| | SR1 | 0.6 | mm | (最小) |
| 基本额定载荷 | CAN | 103000 | N | 动载荷 |
| | COAN | 188000 | N | 静载荷 |
| | CA | 10500 | kgf | 动载荷 |
| | COA | 19100 | kgf | 静载荷 |
| 极限转速 | GRE | 1700 | 1/min | 脂润滑 |
| | OIL | 2400 | 1/min | 油润滑 |
| 尺寸 | SD3 | 90.0 | mm | - |
| | D1 | 42 | mm | - |
| | D2 | 65 | mm | - |
| | D3 | 95 | mm | - |
| | T2 | 40.0 | mm | - |
| | T6 | 42.2 | mm | - |
| | T8 | 46.0 | mm | - |
| | B | 15 | mm | - |
| | SB | 12.0 | mm | - |
| | A1 | 22.0 | mm | - |
| | R | 72 | mm | - |
| 安装尺寸 | DA | 65 | mm | (最大) |
| | SRA | 1.0 | mm | (最大) |
| | SRB | 0.6 | mm | (最大) |
| 重量 | MASS | 1980 | g | 重量 |

NSK 52408图片



参考资料:<http://www.sozhou.com/p/6de20819.html>

