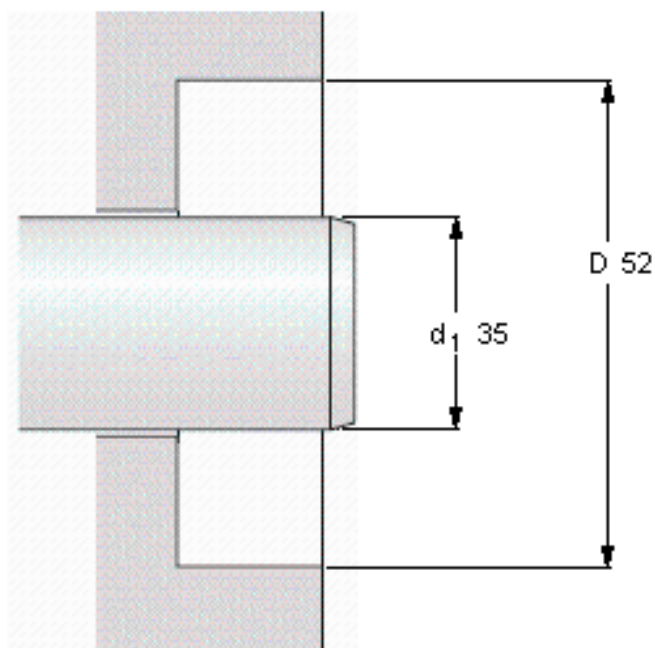
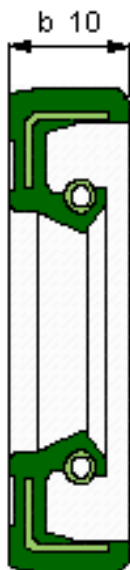


SKF 35x52x10 HMS5 RG参数

主要尺寸	d_1	35	mm	-
	d1	52	mm	-
	b	10	mm	-
设计	设计	HMS5	-	-
密封唇材料	密封唇材料	RG	-	-
Pressuredifferential [MPa/psi]	Pressure differential [MPa / psi]	0.03	-	-
型号	型号	35x52x10 HMS5 RG	-	-
美国图纸编号	美国图纸编号	692419	-	-

SKF 35x52x10 HMS5 RG图片



Permissible operating temperature [°C / °F]

最小	最大
-40 / -40	100 / 210
	short periods
	120 / 250

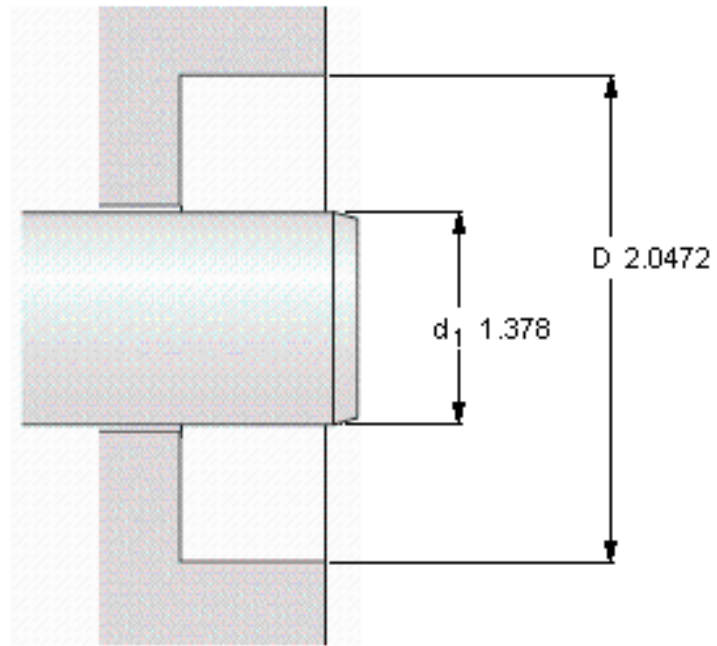
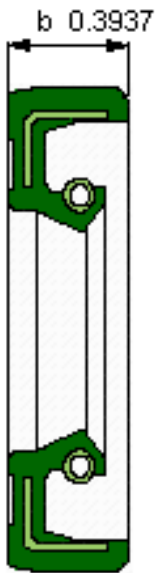
Rotational speed [r/min]

7639
at circumferential speed [m/s / ft/s]
14 / 45,92

Pressure differential [MPa / psi]

0,03 / 5

See also "Permissible speeds" and "Chemical and thermal resistance"



Permissible operating temperature [°C / °F]

最小	最大
-40 / -40	100 / 210
	short periods
	120 / 250

Rotational speed [r/min]

7639
at circumferential speed [m/s / ft/s]
14 / 45,92

Pressure differential [MPa / psi]

0,03 / 5

See also "Permissible speeds" and "Chemical and thermal resistance"

参考资料:<http://www.sozhou.com/p/65946efb.html>