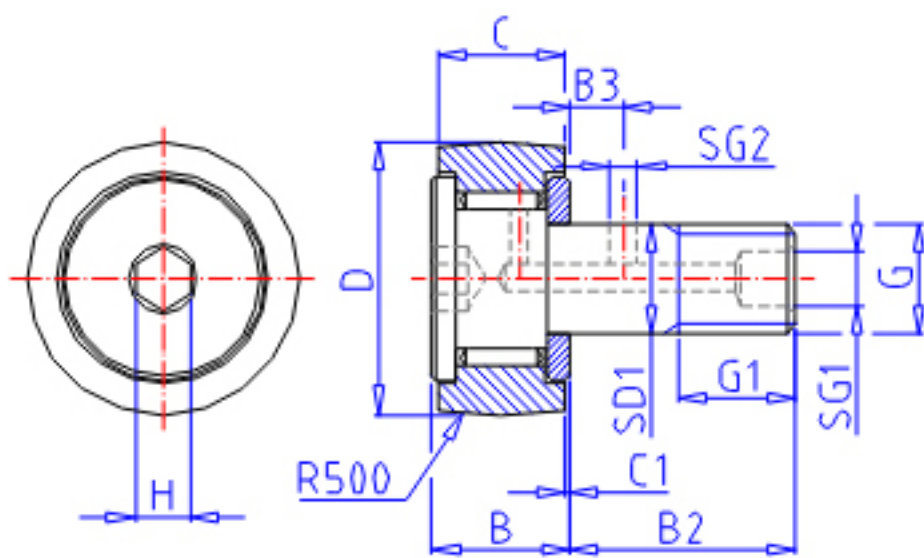


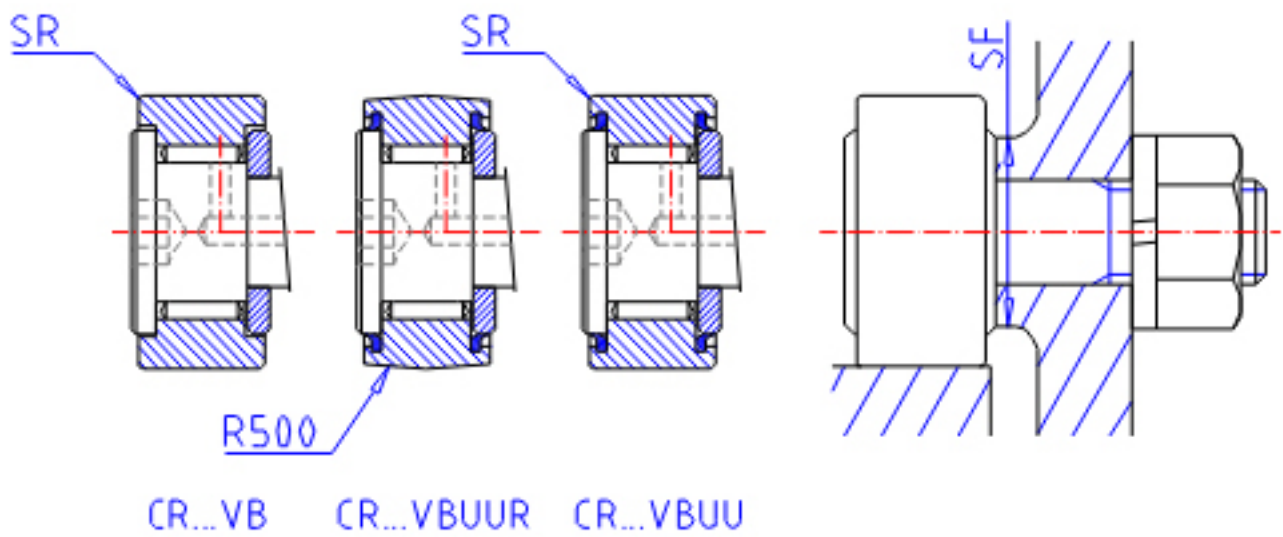
IKO CR 24VB参数

|        |       |         |        |      |
|--------|-------|---------|--------|------|
| 杆端直径   | STDRT | 15.875  | mm     | 杆端直径 |
| 型号     | ORDER | CR 24VB |        | 型号   |
| 重量     | MASS  | 230     | g      | 重量   |
| 主要尺寸   | D     | 38.100  | mm     | -    |
|        | C     | 22.225  | mm     | -    |
|        | SD1   | 15.875  | mm     | -    |
|        | G     | 5/8-18  |        | 螺纹规格 |
|        | G1    | 19.050  | mm     | 螺纹尺寸 |
|        | B     | 23.6    | mm     | -    |
|        | B2    | 38.100  | mm     | -    |
|        | B3    | 9.525   | mm     | -    |
|        | C1    | 0.794   | mm     | -    |
|        | SG1   | 4.762   | mm     | -    |
|        | SG2   | 3.969   | mm     | -    |
|        | H     | 7.938   | mm     | -    |
|        | SR    | 1.588   | mm     | (最小) |
|        | 安装尺寸  | SF      | 26.196 | mm   |
| 最大拧紧扭矩 | TRQ   | 55.7    | N. m   | -    |
| 基本额定载荷 | CR    | 28200   | N      | 动载荷  |
|        | COR   | 40100   | N      | 静载荷  |

IKO CR 24VB图片



CR..VBR



参考资料:<http://www.sozhou.com/p/63e80af7.html>

