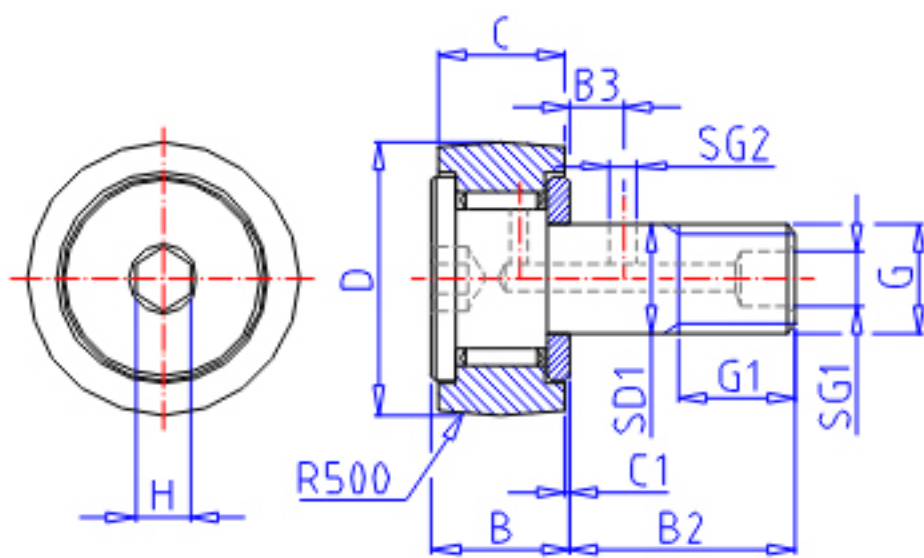


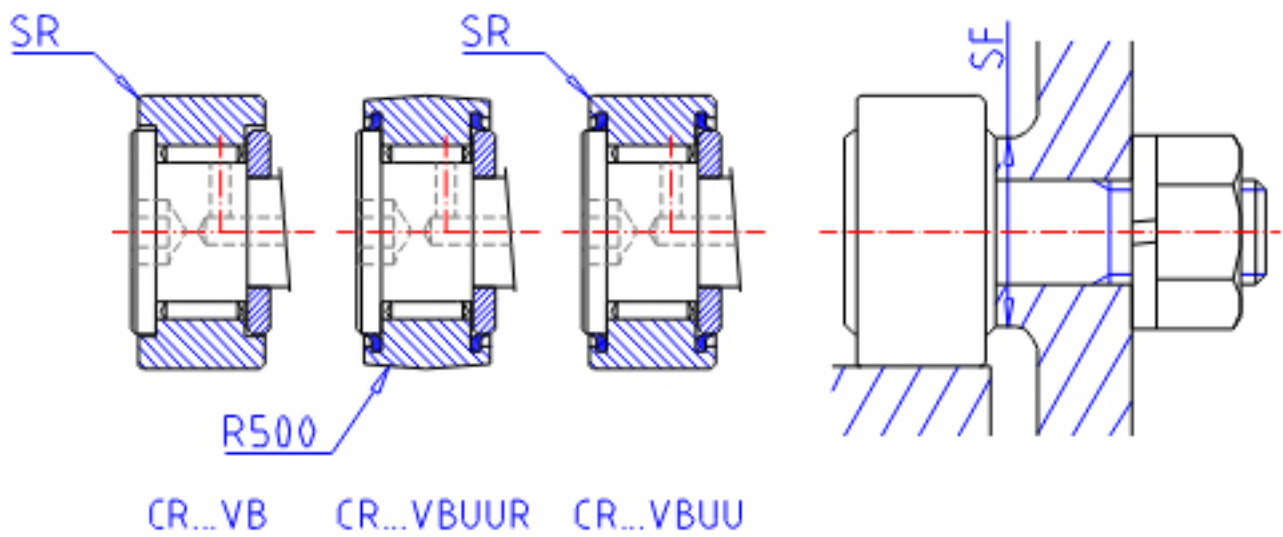
**IKO CR 32VB参数**

|        |        |         |        |      |   |
|--------|--------|---------|--------|------|---|
| 杆端直径   | STDRT  | 22.225  | mm     | 杆端直径 |   |
| 型号     | ORDER  | CR 32VB |        | 型号   |   |
| 重量     | MASS   | 627     | g      | 重量   |   |
| 主要尺寸   | D      | 50.800  | mm     | -    |   |
|        | C      | 31.750  | mm     | -    |   |
|        | SD1    | 22.225  | mm     | -    |   |
|        | G      | 7/8-14  |        | 螺纹规格 |   |
|        | G1     | 25.400  | mm     | 螺纹尺寸 |   |
|        | B      | 33.5    | mm     | -    |   |
|        | B2     | 50.800  | mm     | -    |   |
|        | B3     | 12.7    | mm     | -    |   |
|        | C1     | 0.794   | mm     | -    |   |
|        | SG1    | 4.762   | mm     | -    |   |
|        | SG2    | 4.762   | mm     | -    |   |
|        | H      | 11.112  | mm     | -    |   |
|        | SR     | 1.588   | mm     | (最小) |   |
|        | 安装尺寸   | SF      | 37.306 | mm   | - |
|        | 最大拧紧扭矩 | TRQ     | 162.0  | N. m | - |
| 基本额定载荷 | CR     | 45700   | N      | 动载荷  |   |
|        | COR    | 80600   | N      | 静载荷  |   |

**IKO CR 32VB图片**



CR..VBR



参考资料:<http://www.sozhou.com/p/5d78106d.html>

