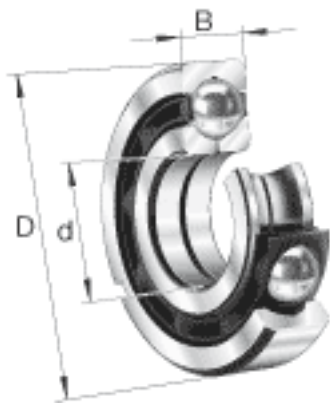
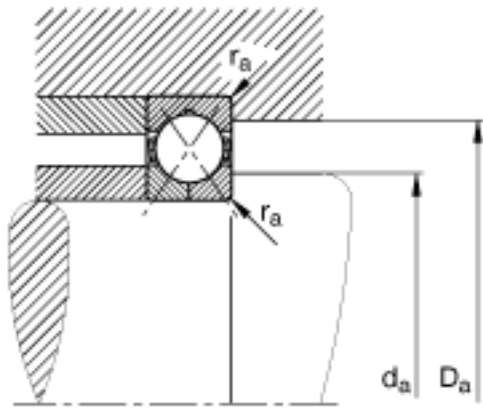
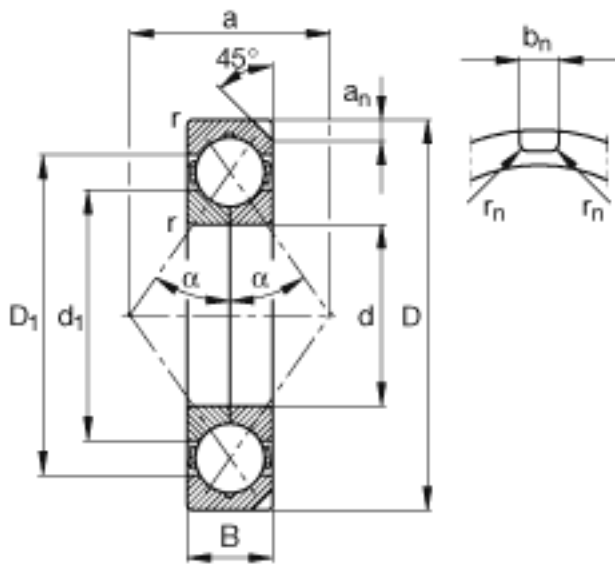


FAG QJ228-N2-MPA参数

| | | | | |
|--------|--------------|--------|-------|-------------|
| 尺寸 | a_n | 11.7 | mm | - |
| | b_n | 10.5 | mm | - |
| | D_1 | 210.5 | mm | - |
| | $D_{a\ max}$ | 236 | mm | - |
| | d_1 | 180 | mm | - |
| | d | 140 | mm | - |
| | D | 250 | mm | - |
| | B | 42 | mm | - |
| | a | 137 | mm | - |
| | $d_{a\ min}$ | 154 | mm | - |
| | $r_{a\ max}$ | 2.5 | mm | - |
| | r_{min} | 3 | mm | - |
| | r_n | 2 | mm | - |
| 重量 | m | 9690 | g | 质量 |
| 基本额定载荷 | C_r | 315000 | N | 基本额定动载荷, 径向 |
| | C_{0r} | 420000 | N | 基本额定静载荷, 径向 |
| 极限转速 | n_G | 4700 | r/min | 极限转速 |
| 疲劳极限载荷 | C_{ur} | 16500 | N | 疲劳极限载荷, 径向 |

FAG QJ228-N2-MPA图片





参考资料: <http://www.sozhou.com/p/5cc3358b.html>