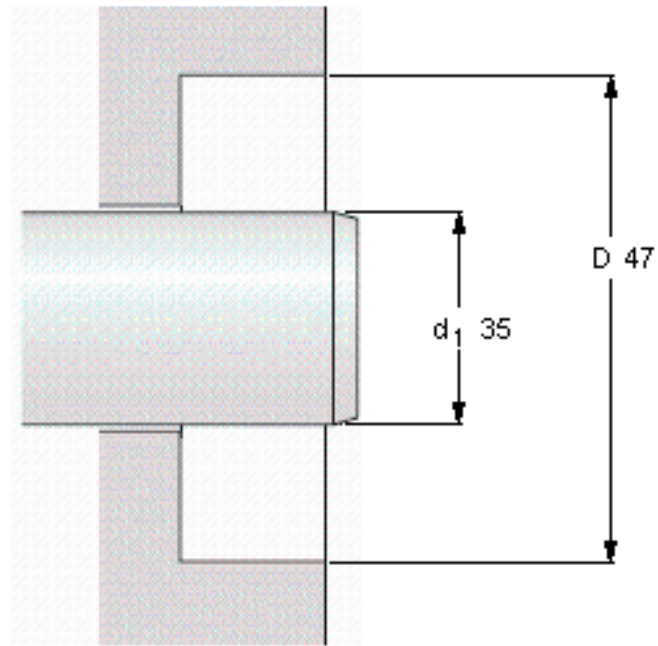


**SKF 35x47x8 HMS5 V参数**

主要尺寸	d <sub>1</sub>	35	mm	-
	d1	47	mm	-
	b	8	mm	-
设计	设计	HMS5	-	-
密封唇材料	密封唇材料	V	-	-
Pressuredifferential [MPa/psi]	Pressure differential [MPa / psi]	0.03		-
型号	型号	35x47x8 HMS5 V	-	-
美国图纸编号	美国图纸编号	564013	-	-
注释	注释	In accordance with ISO/DIN	-	-

**SKF 35x47x8 HMS5 V图片**



**Permissible operating temperature [°C / °F]**

最小	最大
-40 / -40	200 / 390
	short periods
	220 / 430

**Rotational speed [r/min]**

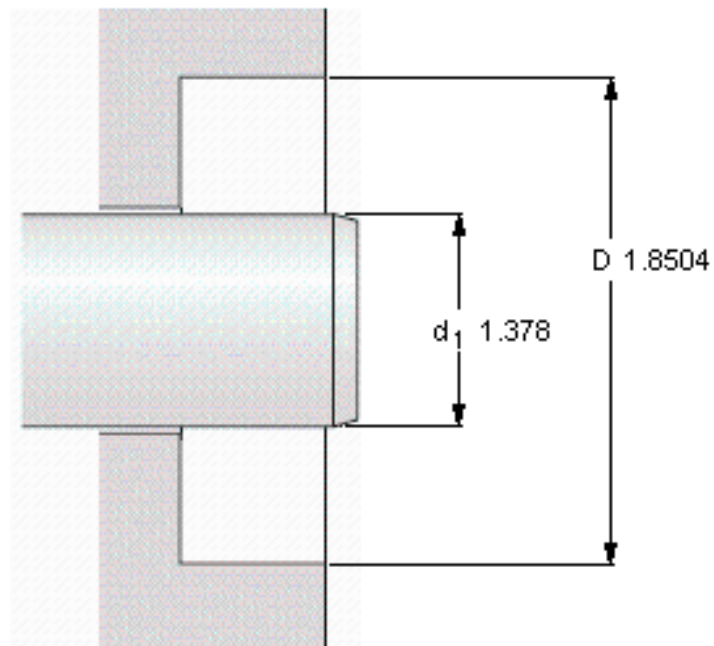
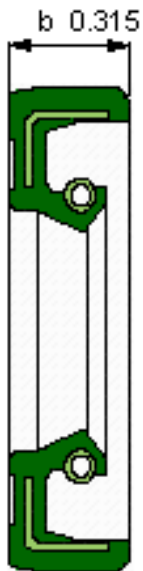
7639
<b>at circumferential speed [m/s / ft/s]</b>
14 / 45,92

**Pressure differential [MPa / psi]**

0,03 / 5

See also "Permissible speeds" and "Chemical and thermal resistance"

参考资料:<http://www.sozhou.com/p/55b8b0cf.html>



**Permissible operating temperature [°C / °F]**

最小	最大
-40 / -40	200 / 390
	short periods
	220 / 430

**Rotational speed [r/min]**

7639  
**at circumferential speed [m/s / ft/s]**  
 14 / 45,92

**Pressure differential [MPa / psi]**

0,03 / 5

See also "Permissible speeds" and "Chemical and thermal resistance"