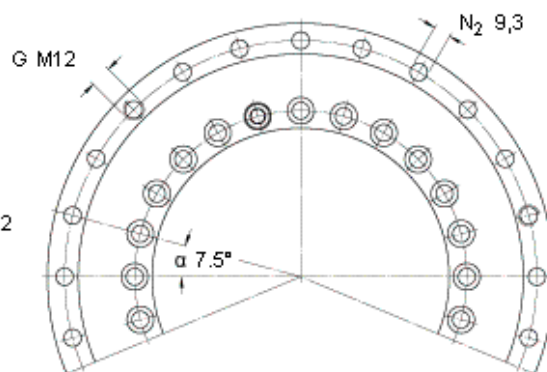
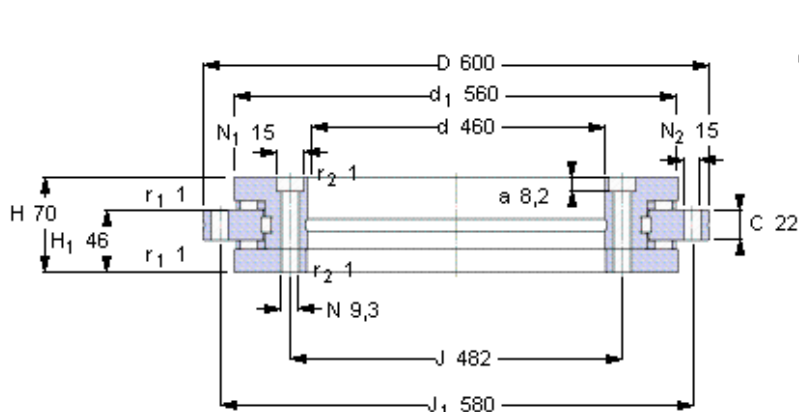


SKF NRT 460 A参数

主要尺寸	d	460	mm	-
	D	600	mm	-
	H	70	mm	-
基本额定载荷	C	201000	N	动载荷
	C_0	765000	N	静载荷
	C	180000	N	动载荷
	C_0	2240000	N	静载荷
极限转速	Grease lubrication	80	r/min	-
	Oil lubrication	160	r/min	-
Guideline rotary table diameter	Guideline rotary table diameter	1000	mm	-
重量	重量	45000	g	-
型号	型号	NRT 460 A	-	-

SKF NRT 460 A图片



Axial preload [kN] 16
(average value)

Axial unloading force [kN] 34
(average value)

Frictional moment C_{RL} [Nm] 70
(guideline value)

Stiffness

(values refer to the roller set)

Axial [kN/ μ m] 38,5

Radial [kN/ μ m] 12,1

Movement [kNm/mrad] 1036

Retaining bolts 2 x M8 , 180°

Removal threads G 3 x M12 , 120°

Required attachment bolts

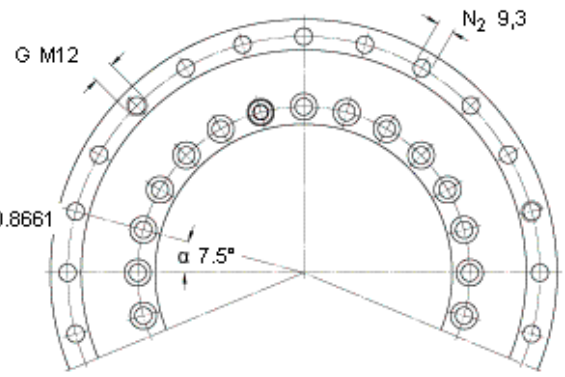
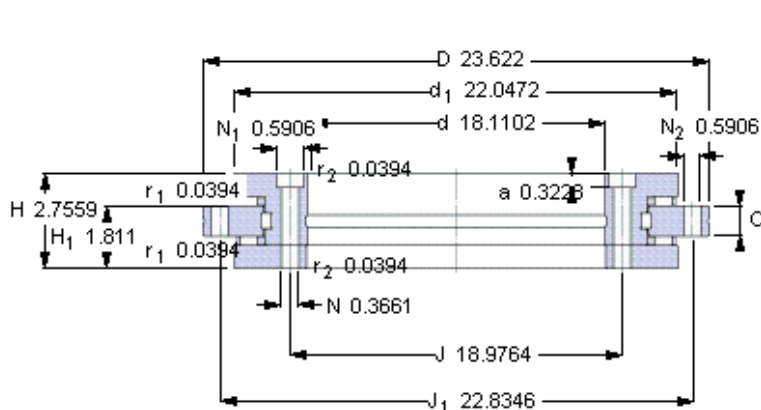
Shaft (no. of bolts x pitch) 46 x 7.5°

with 2 positions omitted at 180° apart at retaining bolt positions

Housing (no. of bolts x pitch) 45 x 7.5°

with 3 positions omitted at 120° apart at removal thread positions

Recommended tightening torque for attachment bolts grade 10.9 [Nm]
34 (M8)



Axial preload [kN] 16
(average value)

Axial unloading force [kN] 34
(average value)

Frictional moment C_{RL} [Nm] 70
(guideline value)

Stiffness

(values refer to the roller set)

Axial [kN/ μ m] 38,5
Radial [kN/ μ m] 12,1
Movement [kNm/mrad] 1036

Retaining bolts 2 x M8 , 180°

Removal threads G 3 x M12 , 120°

Required attachment bolts

Shaft (no. of bolts x pitch) 46 x 7.5°
with 2 positions omitted at 180° apart at retaining bolt positions
Housing (no. of bolts x pitch) 45 x 7.5°
with 3 positions omitted at 120° apart at removal thread positions

Recommended tightening torque for attachment bolts grade 10.9 [Nm]
1.3386 (M8)

参考资料: <http://www.sozhou.com/p/4625cb6e.html>