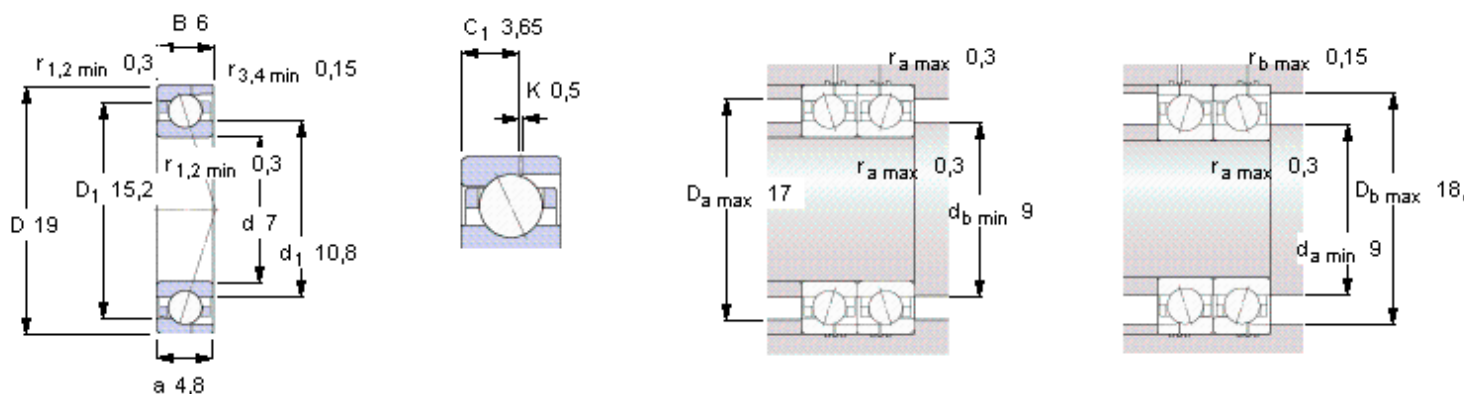


SKF 707 CD/P4AH参数

主要尺寸	d	7	mm	-
	D	19	mm	-
	B	6	mm	-
基本额定载荷	C	2510	N	动载荷
	C_0	980	N	静载荷
疲劳载荷极限	P_u	40	N	-
可达转速	Grease	100000	r/min	-
	Oil-air	160000	r/min	-
重量	重量	8	g	-
型号	型号	707 CD/P4AH	-	-

SKF 707 CD/P4AH图片



Ball diameter 3,572
Number of balls 8

未安装时的预载荷 [N]
背对背配置，面对面配置
预载荷等级

A	B	C	D
8	15	30	60

Static axial stiffness [N/μm]
(guideline value)

预载荷等级

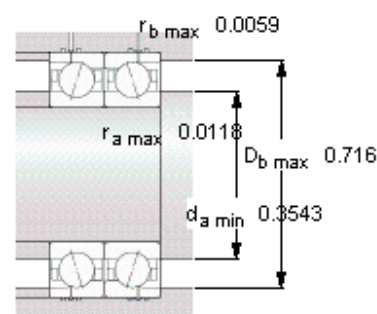
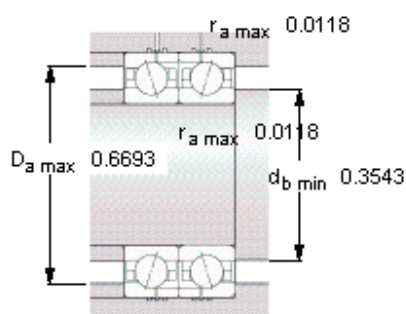
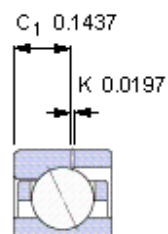
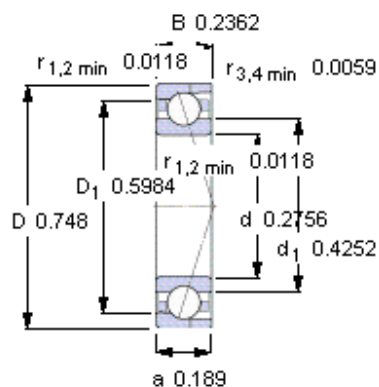
A	B	C	D
9	11	15	22

Reference grease quantity [cm³]
 G_{ref} 0,12

计算系数
for equivalent bearing load
 f_0 8,1

for preload in mounted bearing sets
f 1,03
 f_1 1
 f_{2A} 1
 f_{2B} 1,02
 f_{2C} 1,05
 f_{2D} 1,09
 f_{HC} 1

参考资料: <http://www.sozhou.com/p/34da03fb.html>



Ball diameter 3,572

Number of balls 8

未安装时的预载荷 [N]

背对背配置，面对面配置

预载荷等级

A	B	C	D
8	15	30	60

Static axial stiffness [N/μm]

(guideline value)

预载荷等级

A	B	C	D
9	11	15	22

Reference grease quantity [cm³]

G_{ref} 0,12

计算系数

for equivalent bearing load

f₀ 8,1

for preload in mounted bearing sets

f 1,03

f₁ 1

f_{2A} 1

f_{2B} 1,02

f_{2C} 1,05

f_{2D} 1,09

f_{HC} 1