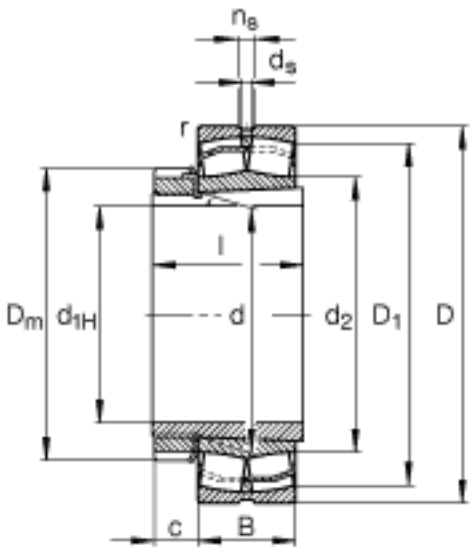
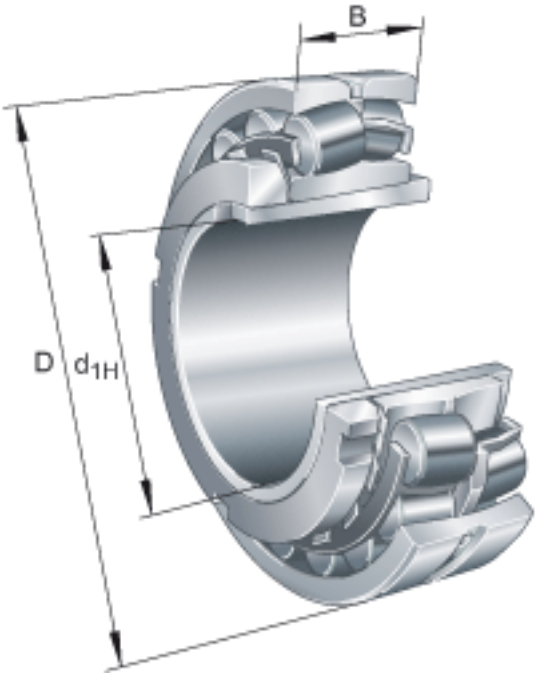


FAG 22313-E1-K-T41A + H2313参数

| | | | | |
|--------|--------------|--------|-------|-------------|
| 尺寸 | d_{1H} | 60 | mm | - |
| | D | 140 | mm | - |
| | B | 48 | mm | - |
| | $B_{a \min}$ | 5 | mm | - |
| | c | 14 | mm | - |
| | D_1 | 119.3 | mm | - |
| | $D_{a \max}$ | 128 | mm | - |
| | D_m | 85 | mm | - |
| | d | 65 | mm | - |
| | d_2 | 83.2 | mm | - |
| | $d_{a \max}$ | 83 | mm | - |
| | $d_{b \min}$ | 72 | mm | - |
| | d_s | 4.8 | mm | - |
| | l | 65 | mm | - |
| | n_s | 9.5 | mm | - |
| | $r_{a \max}$ | 2.1 | mm | - |
| | r_{\min} | 2.1 | mm | - |
| 说明 | | H2313 | | 质量, 紧定套 |
| 重量 | m | 3490 | g | 质量 |
| | m_1 | 560 | g | 质量, 紧定套 |
| 基本额定载荷 | C_r | 350000 | N | 基本额定动载荷, 径向 |
| 计算系数 | e | 0.34 | | - |
| | Y_1 | 2 | | - |
| | Y_2 | 2.98 | | - |
| 基本额定载荷 | C_{0r} | 365000 | N | 基本额定静载荷, 径向 |
| 计算系数 | Y_0 | 1.96 | | - |
| 极限转速 | n_G | 5000 | r/min | 极限转速 |

| | | | | |
|--------|----------|-------|-------|-----------|
| 参考转速 | n_B | 3950 | r/min | 参考速度 |
| 疲劳极限载荷 | C_{ur} | 32500 | N | 疲劳极限载荷，径向 |

FAG 22313-E1-K-T41A + H2313图片



参考资料:<http://www.sozhou.com/p/343b1801.html>

