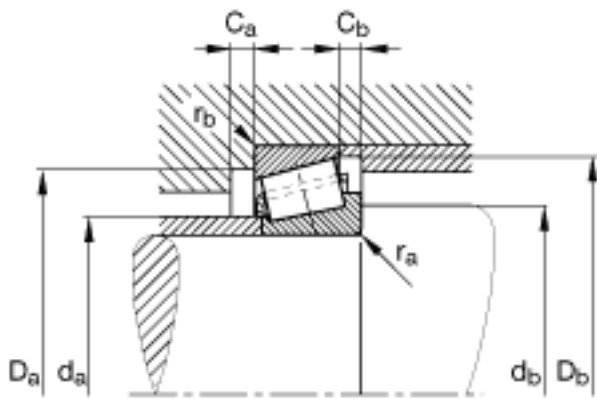
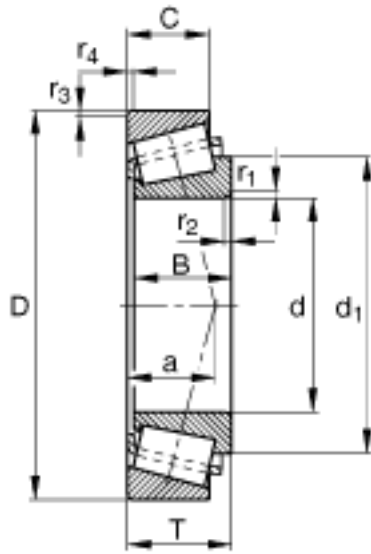
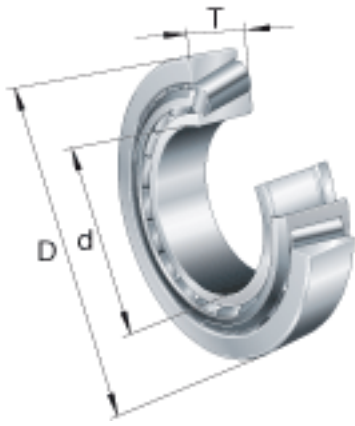


FAG T2ED080参数

| | | | | | |
|--------|-----------------------|----------------|------|-------------|------|
| 尺寸 | d | 80 | mm | - | |
| | D | 145 | mm | - | |
| | T | 46 | mm | - | |
| | a | 32.6 | mm | - | |
| | B | 45 | mm | - | |
| | C | 38 | mm | - | |
| | C _{a min} | 7 | mm | - | |
| | C _{b min} | 8 | mm | - | |
| | D _{a min} | 125 | mm | - | |
| | D _{b min} | 137 | mm | - | |
| | d ₁ | 110.3 | mm | - | |
| | d _{a max} | 92 | mm | - | |
| | d _{b min} | 95 | mm | - | |
| | r _{1, 2 min} | 3 | mm | - | |
| | r _{3, 4 min} | 2.5 | mm | - | |
| | 极限转速 | n _G | 4750 | r/min | 极限转速 |
| | 参考转速 | n _B | 3200 | r/min | 参考速度 |
| 尺寸 | r _{a max} | 3 | mm | - | |
| | r _{b max} | 2.5 | mm | - | |
| 重量 | m | 3260 | g | 质量 | |
| 基本额定载荷 | C _r | 265000 | N | 基本额定动载荷, 径向 | |
| | C _{0r} | 370000 | N | 基本额定静载荷, 径向 | |
| 计算系数 | e | 0.32 | | - | |
| | Y | 1.88 | | - | |
| | Y ₀ | 1.03 | | - | |
| 疲劳极限载荷 | C _{ur} | 45500 | N | 疲劳极限载荷, 径向 | |

FAG T2ED080图片



参考资料:<http://www.sozhou.com/p/257d7186.html>