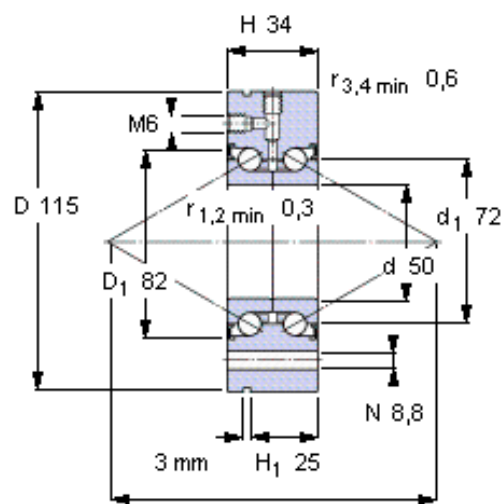


### SKF BEAM 050115-2RZ参数

主要尺寸	d	50	mm	-
	D	115	mm	-
	H	34	mm	-
基本额定载荷	C	46800	N	动载荷
	$C_0$	127000	N	静载荷
疲劳载荷极限	$P_u$	4650	N	-
可达转速	Attainable speed	3600	r/min	-
重量	重量	1850	g	-
型号	型号	BEAM 050115-2RZ	-	-

### SKF BEAM 050115-2RZ图片



**Preload<sup>1)</sup> [N]**

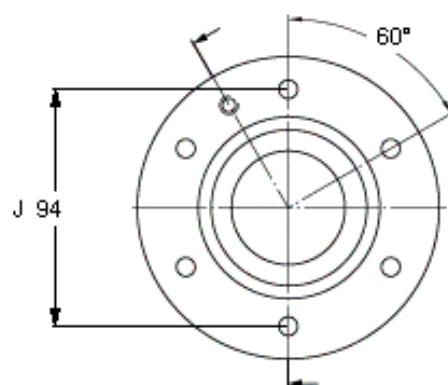
3100

**Frictional moment<sup>1)</sup> [Nm]**

(guideline value)

0,45

<sup>1)</sup> Values apply to unmounted bearings



**Static stiffness<sup>1)</sup>**

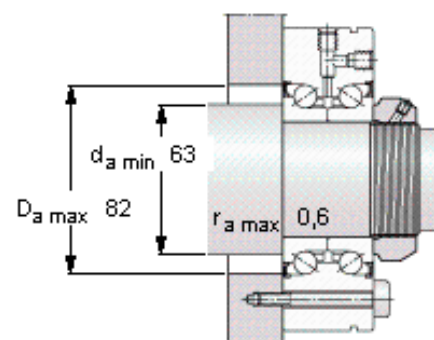
(guideline values)

Axial [N/μm]

1250

Moment [Nm/mrad]

1000

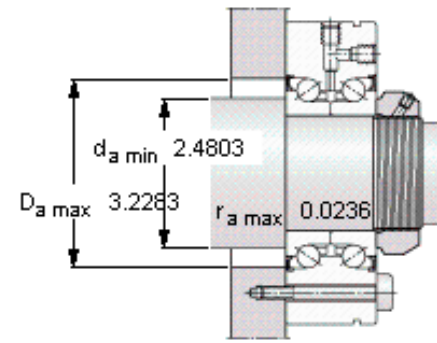
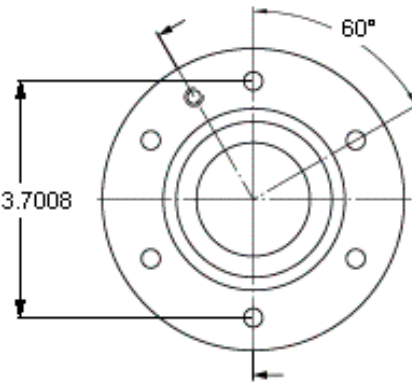
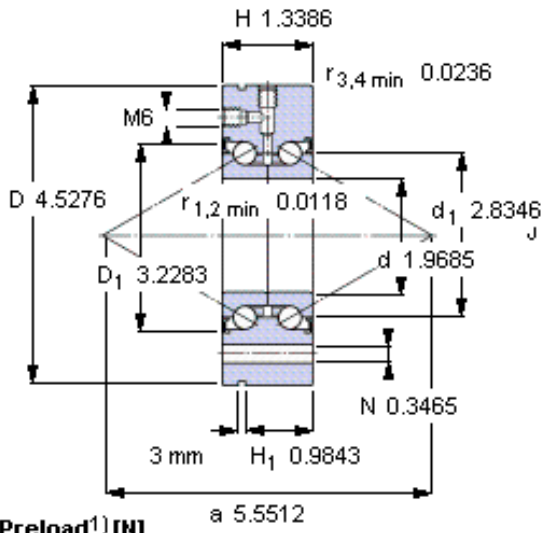


**Required attachment bolts**

(no. of bolts x pitch)

6 x 60°

参考资料: <http://www.sozhou.com/p/1fc0e8a3.html>



**Preload<sup>1)</sup> [N]**

3100

**Frictional moment<sup>1)</sup> [Nm]**

(guideline value)

0,45

<sup>1)</sup> Values apply to unmounted bearings

**Static stiffness<sup>1)</sup>**

(guideline values)

Axial [N/ $\mu$ m] 1250

Moment [Nm/mrad] 1000

**Required attachment bolts**

(no. of bolts x pitch)

6 x 60°