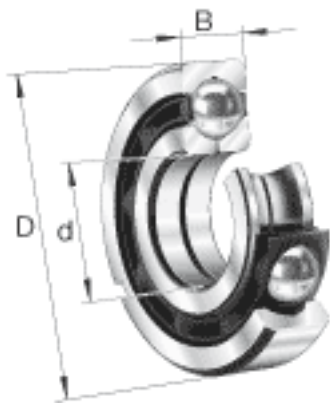
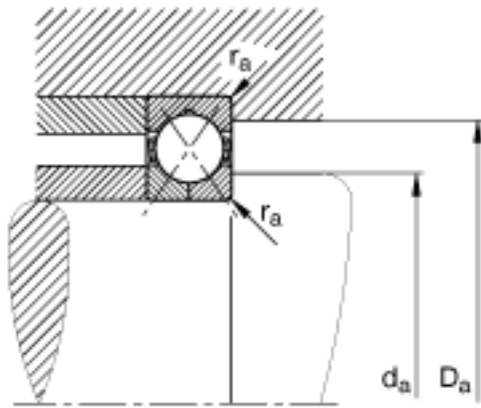
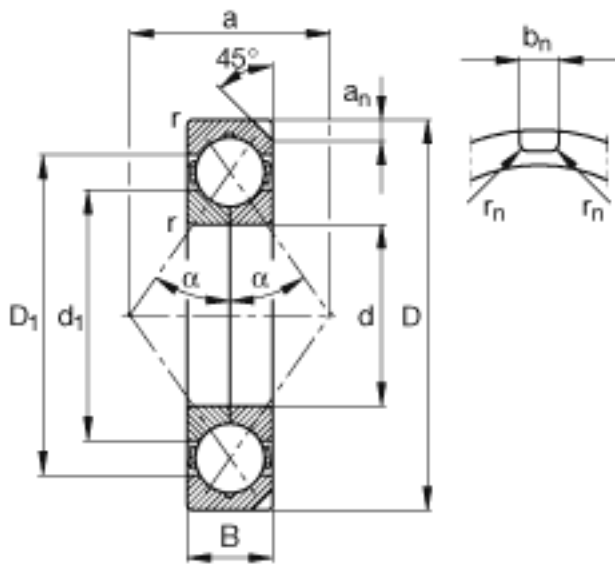


### FAG QJ317-N2-MPA参数

|        |              |        |       |             |
|--------|--------------|--------|-------|-------------|
| 尺寸     | d            | 85     | mm    | -           |
|        | D            | 180    | mm    | -           |
|        | B            | 41     | mm    | -           |
|        | a            | 93     | mm    | -           |
|        | $a_n$        | 11.7   | mm    | -           |
|        | $b_n$        | 10.5   | mm    | -           |
|        | $D_1$        | 148.6  | mm    | -           |
|        | $D_{a \max}$ | 166    | mm    | -           |
|        | $d_1$        | 117.8  | mm    | -           |
|        | $d_{a \min}$ | 99     | mm    | -           |
|        | $r_{a \max}$ | 2.5    | mm    | -           |
|        | $r_{\min}$   | 3      | mm    | -           |
|        | $r_n$        | 2      | mm    | -           |
|        | 重量           | m      | 5530  | g           |
| 基本额定载荷 | $C_r$        | 248000 | N     | 基本额定动载荷, 径向 |
|        | $C_{0r}$     | 255000 | N     | 基本额定静载荷, 径向 |
| 极限转速   | $n_G$        | 6600   | r/min | 极限转速        |
| 疲劳极限载荷 | $C_{ur}$     | 12200  | N     | 疲劳极限载荷, 径向  |

### FAG QJ317-N2-MPA图片





参考资料:<http://www.sozhou.com/p/1f33c3a2.html>