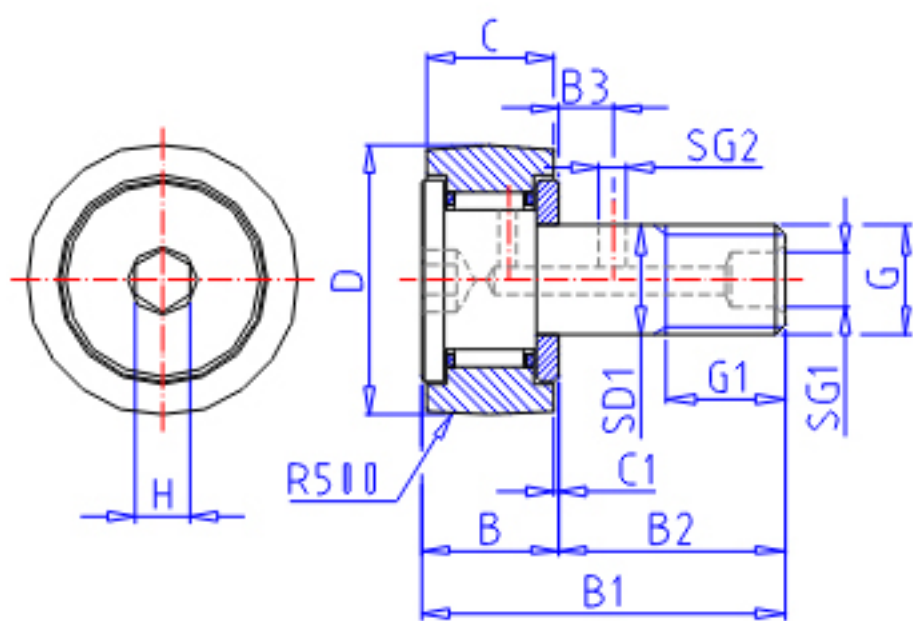


IKO CF 10FBUUR参数

| | | | | | |
|----------|--------|------------|-------|----------|---|
| 杆端直径 | STDRT | 10 | mm | 杆端直径 | |
| 型号 | ORDER | CF 10FBUUR | | 型号 | |
| 重量 | MASS | 45.0 | g | 重量 | |
| 主要尺寸 | D | 22 | mm | - | |
| | C | 12 | mm | - | |
| | SD1 | 10 | mm | - | |
| | G | M10x1.25 | | 螺纹规格 | |
| | G1 | 12.0 | mm | 螺纹尺寸 | |
| | B | 13.2 | mm | - | |
| | B1 | 36.2 | mm | - | |
| | B2 | 23.0 | mm | - | |
| | B3 | - | mm | - | |
| | C1 | 0.6 | mm | - | |
| | SG1 | - | mm | - | |
| | SG2 | - | mm | - | |
| | H | 5.0 | mm | - | |
| | SR | - | mm | (最小) | |
| | 安装尺寸 | SF | 16.0 | mm | - |
| | 最大拧紧扭矩 | TRQ | 13.80 | N. m | - |
| 基本额定载荷 | CR | 4340 | N | 动载荷 | |
| | COR | 5510 | N | 静载荷 | |
| 最大静态容许负荷 | FMAX | 5510 | N | 最大静态容许负荷 | |

IKO CF 10FBUUR图片



CF...FBR



参考资料:<http://www.sozhou.com/p/1bb99426.html>

