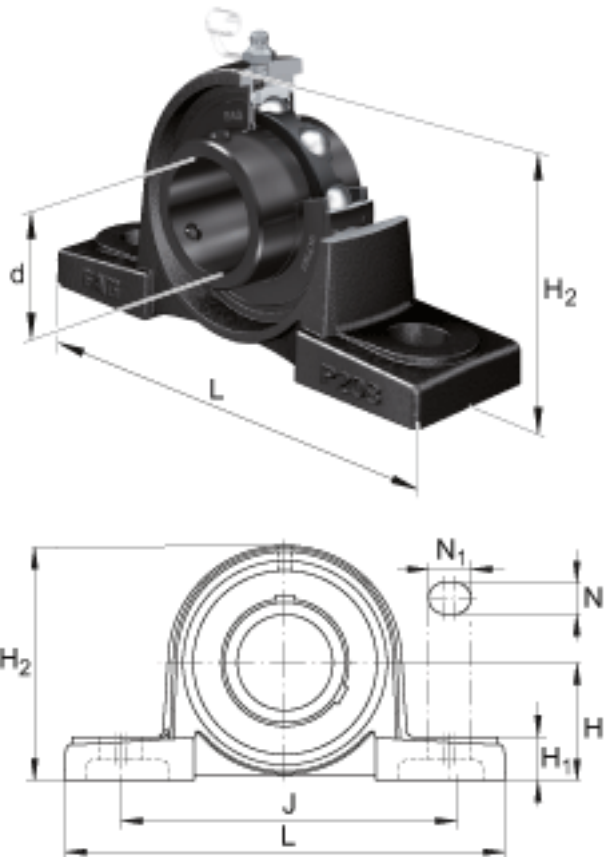
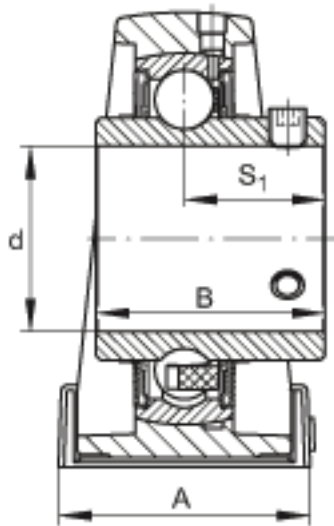


FAG UCP209-26参数

|    |                |          |      |            |         |
|----|----------------|----------|------|------------|---------|
| 尺寸 | d              | 41.275   | mm   | -          |         |
|    | L              | 190      | mm   | -          |         |
|    | H <sub>2</sub> | 106      | mm   | -          |         |
|    | A              | 54       | mm   | -          |         |
|    | B              | 49.2     | mm   | -          |         |
|    | H              | 54       | mm   | -          |         |
|    | H <sub>1</sub> | 20       | mm   | -          |         |
|    | J              | 146      | mm   | -          |         |
|    | N              | 17       | mm   | -          |         |
|    | N <sub>1</sub> | 21       | mm   | -          |         |
|    | S <sub>1</sub> | 30.2     | mm   | -          |         |
|    | 重量             | m        | 2290 | g          | 重量      |
|    | 说明             |          | P209 |            | 型号, 轴承座 |
|    |                | UC209-26 |      | 型号, 外球面球轴承 |         |

FAG UCP209-26图片





参考资料:<http://www.sozhou.com/p/1bb5e81a.html>