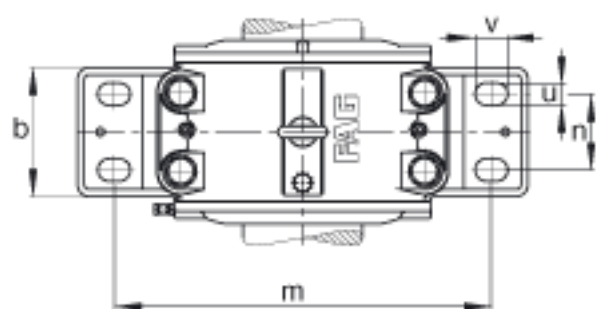
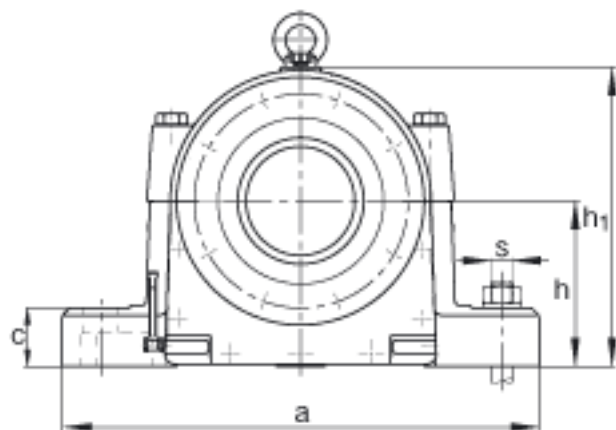
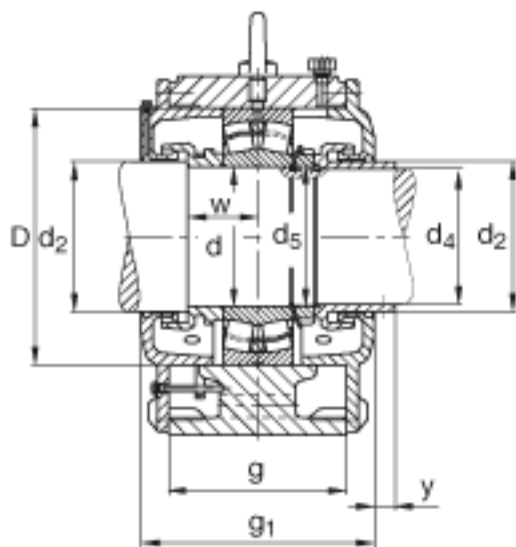
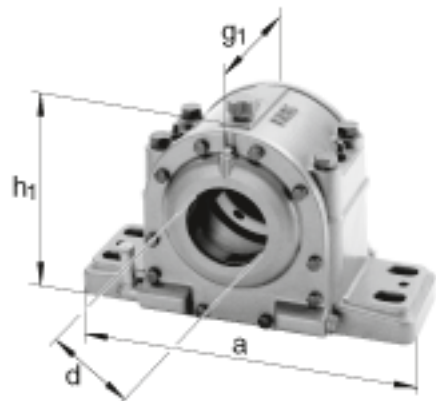


FAG LOE312-N-BL-L参数

| | | | | |
|----|-------|---------------|----|----------|
| 说明 | | 1 1 | | 初始润滑油量 |
| 重量 | m_1 | 35000 | g | 质量, 轴承座 |
| 说明 | | LOE312-N-BL-L | | 型号, 轴承座 |
| 尺寸 | d | 60 | mm | - |
| | a | 370 | mm | - |
| | h_1 | 220 | mm | - |
| | g_1 | 220 | mm | - |
| 说明 | | 50-65 | mm | 油位高度 |
| 尺寸 | b | 130 | mm | - |
| | c | 45 | mm | - |
| | D | 130 | mm | - |
| | d_2 | 65 | mm | - |
| | d_4 | 57 | mm | - |
| | d_5 | M60x2 | | - |
| | g | 140 | mm | - |
| | h | 125 | mm | - |
| | m | 310 | mm | - |
| | n | 80 | mm | - |
| | s | M16 | | - |
| | u | 20 | mm | - |
| | v | 30 | mm | - |
| | w | 55 | mm | - |
| y | 15 | mm | - | |
| 说明 | | 22312 | | 型号, 轴承 |
| | | KM12 | | 型号, 锁紧螺母 |
| | | MB12 | | 型号, 爪式垫圈 |

FAG LOE312-N-BL-L图片



参考资料:<http://www.sozhou.com/p/049c698f.html>