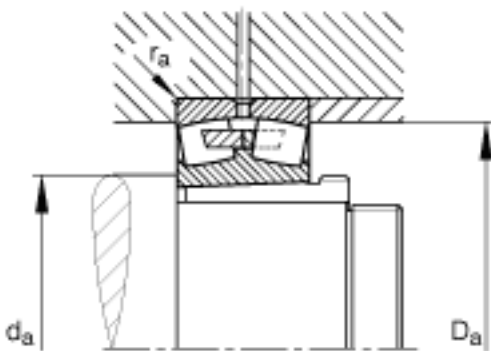
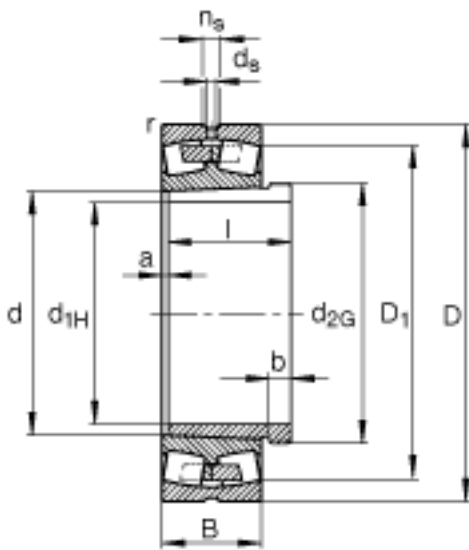


FAG 239/560-B-K-MB + AH39/560参数

| | | | | |
|--------|--------------|---------|----------|-------------|
| 尺寸 | d_{1H} | 530 | mm | - |
| | D | 750 | mm | - |
| | B | 140 | mm | - |
| | a | 10 | mm | - |
| | b | 37 | mm | - |
| | D_1 | 693.4 | mm | - |
| | $D_{a\ max}$ | 732 | mm | - |
| | d | 560 | mm | - |
| | d_{2G} | Tr580x6 | | - |
| | $d_{a\ min}$ | 578 | mm | - |
| | d_s | 12.5 | mm | - |
| | l | 180 | mm | - |
| | n_s | 23.5 | mm | - |
| | $r_{a\ max}$ | 4 | mm | - |
| | r_{min} | 5 | mm | - |
| | 说明 | | AH39/560 | |
| 重量 | m | 176000 | g | 质量 |
| | m_1 | 47000 | g | 质量, 退卸套 |
| 基本额定载荷 | C_r | 3100000 | N | 基本额定动载荷, 径向 |
| 计算系数 | e | 0.17 | | - |
| | Y_1 | 3.95 | | - |
| | Y_2 | 5.88 | | - |
| 基本额定载荷 | C_{0r} | 7650000 | N | 基本额定静载荷, 径向 |
| 计算系数 | Y_0 | 3.86 | | - |
| 极限转速 | n_G | 880 | r/min | 极限转速 |
| 参考转速 | n_B | 470 | r/min | 参考速度 |
| 疲劳极限载荷 | C_{ur} | 570000 | N | 疲劳极限载荷, 径向 |

FAG 239/560-B-K-MB + AH39/560图片



参考资料:<http://www.sozhou.com/p/049716da.html>